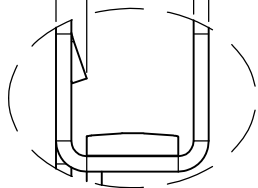
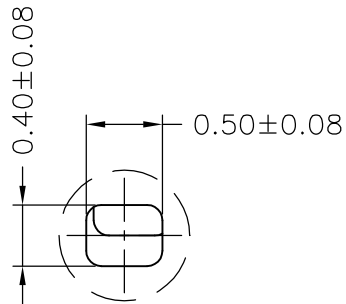


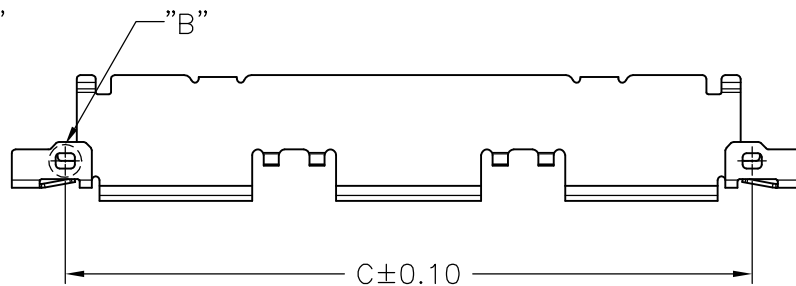
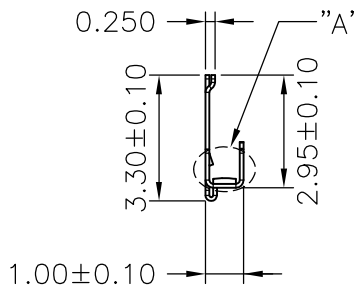
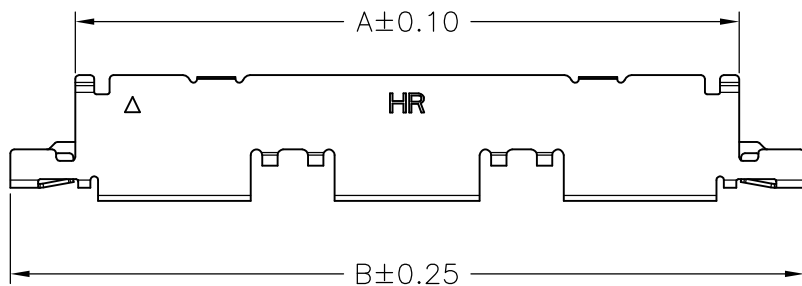
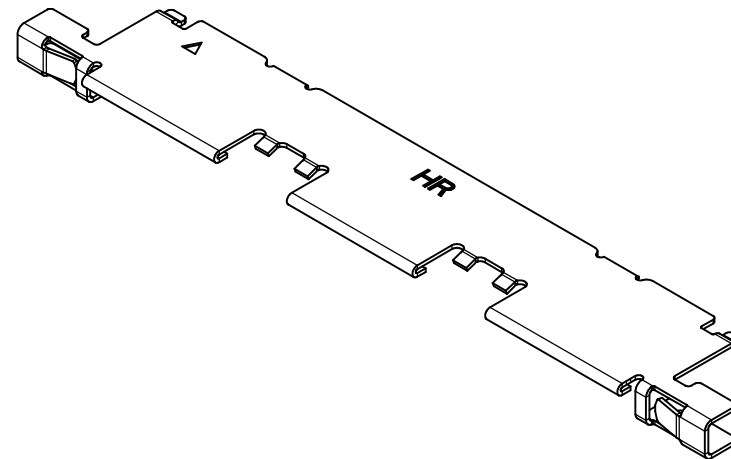
0.200      0.100



DETAIL "A"  
SCALE 4:1



DETAIL "B"  
SCALE 4:1



Material	Finish	Qty/reel
Phosphor Bronze	Tin-plated	4,000pcs

Ordering Information & Dimensions

PART NO.	Dimensions		
	A	B	C
TCA0400H-T1-30P-MP0	13.40	16.80	14.00
TCA0400H-T1-40P-MP0	17.40	20.80	18.00

UNIT	SCALE	SHEET	TITLE:
mm		1 of 1	<b>COVER SHELL FOR SOLDERING TYPE</b>
DRAWN BY	APPROVED BY		
童冠銘	董正一		
2009.02.05	2009.02.05		
GENERAL TOLERANCE			
A0	NEW RELEASE	2009.02.05	X.X±0.25
REV.	DESCRIPTION	DATE	X.XX±0.15
			X.XXX±0.05
			ANGLE±
DRAW NO. :			REV.
TCA0400H-T1-XP-MP0			A0