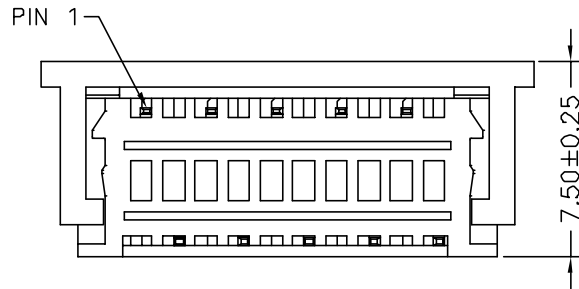
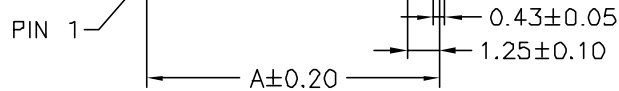
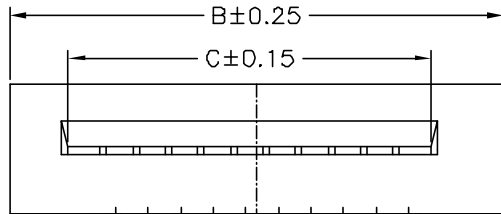
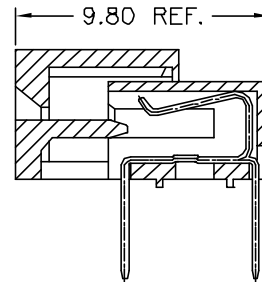
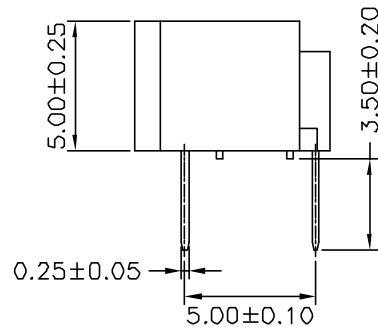


SUGGESTED PCB LAYOUT
(COMPONENT SIDE)



(BOTTOM VIEW)



SPECIFICATIONS
 Current Rating: 1A AC,DC
 Voltage Rating: 200V AC,DC
 Temperature Range: -25°C ~ +85°C
 Contact Resistance: 20mΩ Max.
 Insulation Resistance: 500MΩ Min.
 Withstanding Voltage: 500V AC/minute
 Pin Material: Phosphor Bronze/Tin-plated
 Housing: PBT,UL94V-0,Natural(White)
 Actuator: PBT,UL94V-0,Natural(White)

Ordering Information & Dimensions

PART NO.	Dimensions		
	A	B	C
F1257WR-03PT	2.50	10.20	5.20
F1257WR-04PT	3.75	11.45	6.45
F1257WR-05PT	5.00	12.70	7.70
F1257WR-06PT	6.25	13.95	8.95
F1257WR-07PT	7.50	15.20	10.20
F1257WR-08PT	8.75	16.45	11.45
F1257WR-09PT	10.00	17.70	12.70
F1257WR-10PT	11.25	18.95	13.95
F1257WR-11PT	12.50	20.20	15.20
F1257WR-12PT	13.75	21.45	16.45
F1257WR-13PT	15.00	22.70	17.70
F1257WR-14PT	16.25	23.95	18.95
F1257WR-15PT	17.50	25.20	20.20
F1257WR-16PT	18.75	26.45	21.45
F1257WR-17PT	20.00	27.70	22.70
F1257WR-18PT	21.25	28.95	23.95
F1257WR-19PT	22.50	30.20	25.20
F1257WR-20PT	23.75	31.45	26.45
F1257WR-21PT	25.00	32.70	27.70
F1257WR-22PT	26.25	33.95	28.95
F1257WR-23PT	27.50	35.20	30.20
F1257WR-24PT	28.75	36.45	31.45
F1257WR-25PT	30.00	37.70	32.70
F1257WR-26PT	31.25	38.95	33.95
F1257WR-27PT	32.50	40.20	35.20
F1257WR-28PT	33.75	41.45	36.45
F1257WR-29PT	35.00	42.70	37.70
F1257WR-30PT	36.25	43.95	38.95
F1257WR-31PT	37.50	45.20	40.20
F1257WR-32PT	38.75	46.45	41.45



JOINT TECH ELECTRONIC IND. CO., LTD.
 JOY DAY INDUSTRIAL CO., LTD.

UNIT SCALE SHEET
 mm 1 of 1

DRAWN BY 蕭惠風
 2002.07.10
 APPROVED BY 董正一
 2002.07.22

GENERAL TOLERANCE

B1	REVISE	2008.02.20	X.X ±0.25	ANGLE ±
B0	NEW RELEASE	2005.11.21	X.XX ±0.15	
REV.	DESCRIPTION	DATE	X.XXX ±0.05	

TITLE:
 1.25mm PITCH
 FFC/FPC CONNECTOR
 90° DIP TYPE, ZIF,
 TOP CONTACT STYLE

DRAW NO.: F1257WR-XPT REV. B1