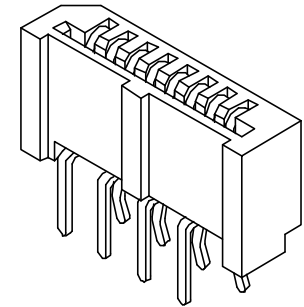


SPECIFICATIONS

Current Rating: 0.5A AC,DC
 Voltage Rating: 50V AC,DC
 Temperature Range: -25°C ~ +85°C
 Contact Resistance: 30mΩ Max.
 Insulation Resistance: 500MΩ Min.
 Withstanding Voltage: 500V AC/minute
 Pin Material: Phosphor Bronze/Tin-plated
 Material: Nylon 46,UL94V-0
 Color: Natural(Beige)



Ordering Information & Dimensions

PART NO.	Dimensions		PART NO.	Dimensions	
	A	B		A	B
F1005WV-04P	3.00	7.10	F1005WV-19P	18.00	22.10
F1005WV-05P	4.00	8.10	F1005WV-20P	19.00	23.10
F1005WV-06P	5.00	9.10	F1005WV-21P	20.00	24.10
F1005WV-07P	6.00	10.10	F1005WV-22P	21.00	25.10
F1005WV-08P	7.00	11.10	F1005WV-23P	22.00	26.10
F1005WV-09P	8.00	12.10	F1005WV-24P	23.00	27.10
F1005WV-10P	9.00	13.10	F1005WV-25P	24.00	28.10
F1005WV-11P	10.00	14.10	F1005WV-26P	25.00	29.10
F1005WV-12P	11.00	15.10	F1005WV-27P	26.00	30.10
F1005WV-13P	12.00	16.10	F1005WV-28P	27.00	31.10
F1005WV-14P	13.00	17.10	F1005WV-29P	28.00	32.10
F1005WV-15P	14.00	18.10	F1005WV-30P	29.00	33.10
F1005WV-16P	15.00	19.10	F1005WV-31P	30.00	34.10
F1005WV-17P	16.00	20.10	F1005WV-32P	31.00	35.10
F1005WV-18P	17.00	21.10			

				JOINT TECH ELECTRONIC IND. CO., LTD. JOY DAY INDUSTRIAL CO., LTD.	
		UNIT	SCALE	SHEET	TITLE:
		mm		1 of 1	1.00mm PITCH FFC/FPC CONNECTOR 180 DIP TYPE, NON-ZIF
		DRAWN BY	APPROVED BY		
		董正一 2002.07.23	董正一 2002.07.23		
		GENERAL TOLERANCE			
B1	REVISE	2008.02.18	X.X ±0.25	ANGLE ±	DRAW NO.: F1005WV-XP
B0	NEW RELEASE	2005.11.19	X.XX ±0.15		
REV.	DESCRIPTION	DATE	X.XXX ±0.05		