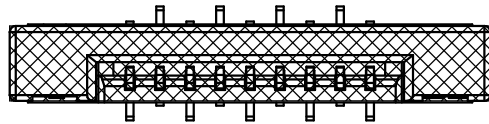
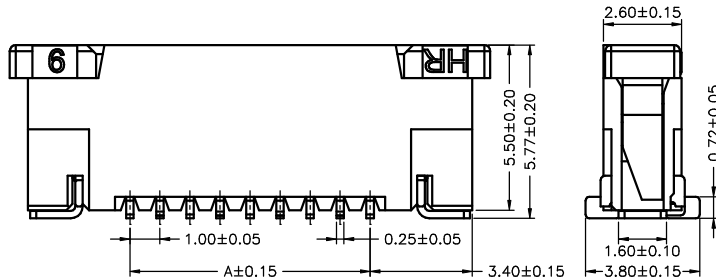
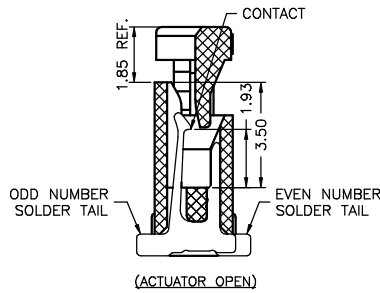
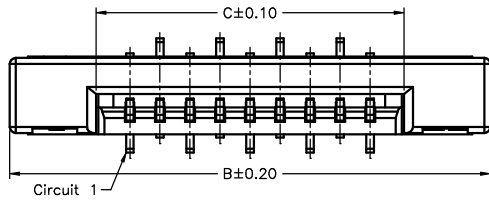


SUGGESTED PCB LAYOUT
(COMPONENT SIDE)



KAPTON TAPE
(FOR PICK AND PLACE SYSTEMS)



SPECIFICATIONS

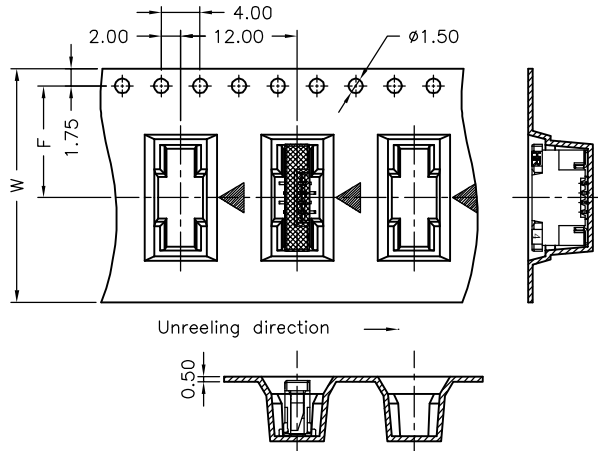
Current Rating: 0.5A AC,DC
 Voltage Rating: 50V AC,DC
 Temperature Range: -25°C ~ +85°C
 Contact Resistance: 30mΩ Max.
 Insulation Resistance: 500MΩ Min.
 Withstanding Voltage: 500V AC/minute
 Contacts: Phosphor Bronze/Tin-plated
 Solder Tabs: Brass/Tin-plated
 Housing: Nylon 6T,UL94V-0,Natural(Beige)
 Actuator: Nylon 6T,UL94V-0,Natural(Black)

Ordering Information & Dimensions

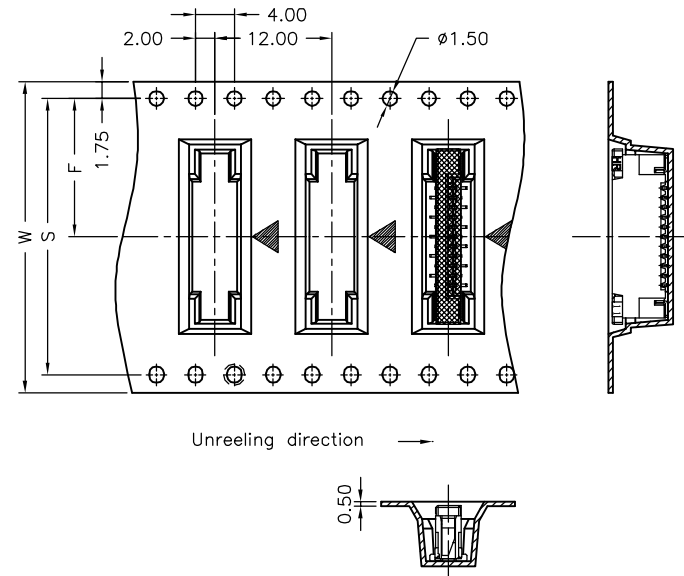
PART NO.	Dimensions			PART NO.	Dimensions		
	A	B	C		A	B	C
F1003WV-S-04P	3.00	11.00	5.25	F1003WV-S-20P	19.00	27.00	21.25
F1003WV-S-05P	4.00	12.00	6.25	F1003WV-S-21P	20.00	28.00	22.25
F1003WV-S-06P	5.00	13.00	7.25	F1003WV-S-22P	21.00	29.00	23.25
F1003WV-S-07P	6.00	14.00	8.25	F1003WV-S-23P	22.00	30.00	24.25
F1003WV-S-08P	7.00	15.00	9.25	F1003WV-S-24P	23.00	31.00	25.25
F1003WV-S-09P	8.00	16.00	10.25	F1003WV-S-25P	24.00	32.00	26.25
F1003WV-S-10P	9.00	17.00	11.25	F1003WV-S-26P	25.00	33.00	27.25
F1003WV-S-11P	10.00	18.00	12.25	F1003WV-S-27P	26.00	34.00	28.25
F1003WV-S-12P	11.00	19.00	13.25	F1003WV-S-28P	27.00	35.00	29.25
F1003WV-S-13P	12.00	20.00	14.25	F1003WV-S-29P	28.00	36.00	30.25
F1003WV-S-14P	13.00	21.00	15.25	F1003WV-S-30P	29.00	37.00	31.25
F1003WV-S-15P	14.00	22.00	16.25	F1003WV-S-31P	30.00	38.00	32.25
F1003WV-S-16P	15.00	23.00	17.25	F1003WV-S-32P	31.00	39.00	33.25
F1003WV-S-17P	16.00	24.00	18.25	F1003WV-S-33P	32.00	40.00	34.25
F1003WV-S-18P	17.00	25.00	19.25	F1003WV-S-34P	33.00	41.00	35.25
F1003WV-S-19P	18.00	26.00	20.25				

				JOINT TECH ELECTRONIC IND. CO., LTD. JOY DAY INDUSTRIAL CO., LTD.	
		UNIT	SCALE	SHEET	TITLE:
		mm		1 of 2	1.00mm PITCH FFC/FPC CONNECTOR 180°SMT TYPE, ZIF
		DRAWN BY		APPROVED BY	
		李勤		董正一	
		2006.04.26		2006.04.26	
		GENERAL TOLERANCE			
		X. X±0.25	ANGLE±		
A0	NEW RELEASE	2006.04.26	X. XX±0.15	DRAW NO. : F1003WV-S-XP	
REV.	DESCRIPTION	DATE	X. XXX±0.05		

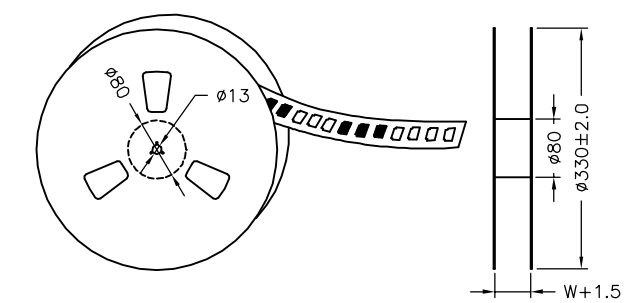
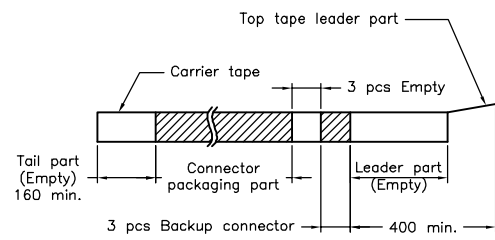
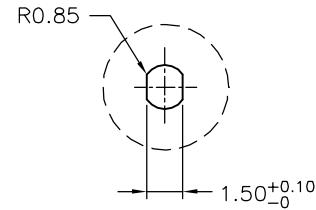
04~09 Contacts



10~34 Contacts



Number of Contacts	W±0.3	F±0.1	S±0.1	Q'ty/Reel
04P	24	11.50		800
05P	24	11.50		800
06P	24	11.50		800
07P	24	11.50		800
08P	24	11.50		800
09P	24	11.50		800
10P	32	14.20	28.40	800
11P	32	14.20	28.40	800
12P	32	14.20	28.40	800
13P	32	14.20	28.40	800
14P	44	20.20	40.40	800
15P	44	20.20	40.40	800
16P	44	20.20	40.40	800
17P	44	20.20	40.40	800
18P	44	20.20	40.40	800
19P	44	20.20	40.40	800
20P	44	20.20	40.40	800
21P	44	20.20	40.40	800
22P	44	20.20	40.40	800
23P	44	20.20	40.40	800
24P	44	20.20	40.40	800
25P	44	20.20	40.40	800
26P	56	26.20	52.40	800
27P	56	26.20	52.40	800
28P	56	26.20	52.40	800
29P	56	26.20	52.40	800
30P	56	26.20	52.40	800
31P	56	26.20	52.40	800
32P	56	26.20	52.40	800
33P	56	26.20	52.40	800
34P	56	26.20	52.40	800



UNIT	SCALE	SHEET	TITLE:	
mm		2 of 2	1.00mm PITCH FFC/FPC CONNECTOR 180° SMT TYPE, ZIF, TAPING SPEC.	
DRAWN BY		APPROVED BY		
歐陽小強		董正一		
2006.12.07		2006.12.07		
GENERAL TOLERANCE				
X. X±0.25		ANGLE±		
X. XX±0.15				
X. XXX±0.05				
A0	NEW RELEASE	2006.12.07	DRAW NO. : F1003WV-S-XP	
REV.	DESCRIPTION	DATE	REV. A0	