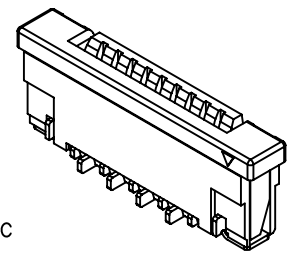


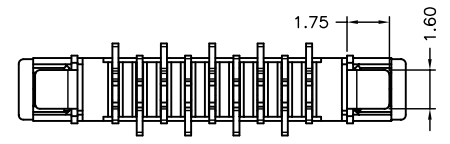
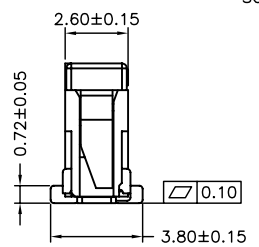
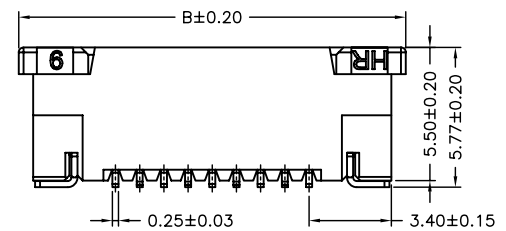
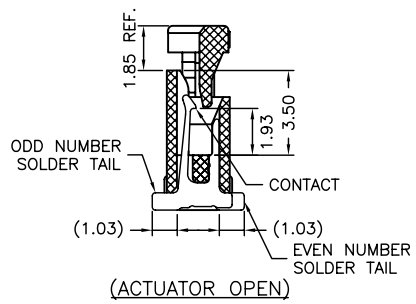
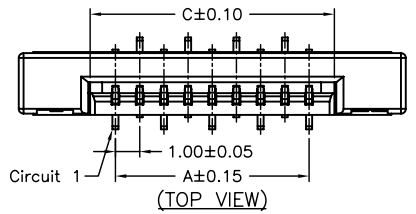
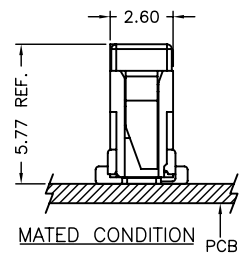
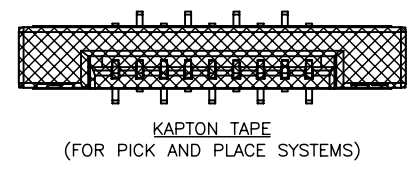
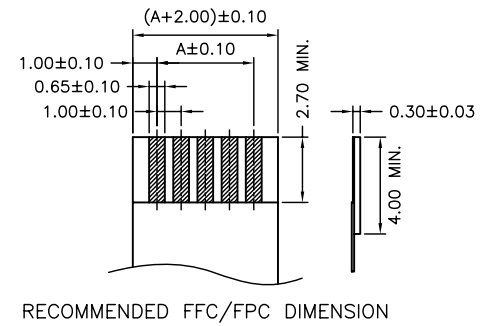
Ordering code

F1003 WV-S-XP XXX
 ① ② ③ ④ ⑤

① Series No.
 ② Connector type: WV=Vertical
 ③ Mounting type: S=SMT without boss
 ④ No. of circuits
 ⑤ Option code:
 Blank=Contacts/Matte Tin-plated
 Solder tabs/Matte Tin-plated
 D01=Contacts/Gold-flash
 Solder tabs/Gold-flash



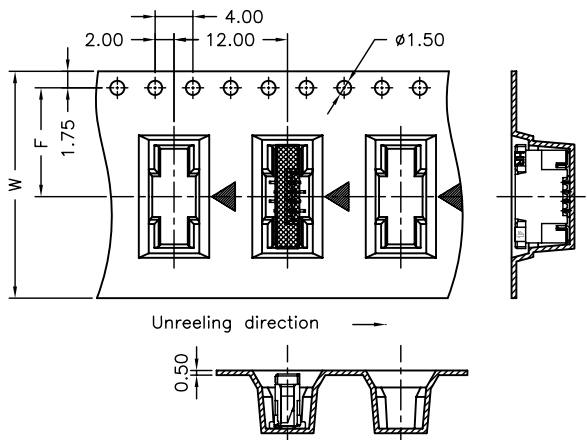
SPECIFICATIONS
 Current Rating: 0.5A AC,DC
 Voltage Rating: 50V AC,DC
 Temperature Range: -25°C ~ +85°C
 Contact Resistance: 30mΩ Max.
 Insulation Resistance: 500MΩ Min.
 Withstanding Voltage: 500V AC/minute
 Contacts: Phosphor Bronze/Matte Tin-plated or Gold-flash
 Solder Tabs: Brass/Matte Tin-plated or Gold-flash
 Housing: Nylon 6T,UL94V-0,Natural(Beige)
 Actuator: Nylon 6T,UL94V-0,Natural(Black)



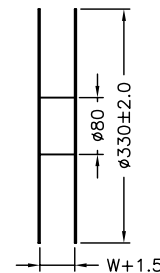
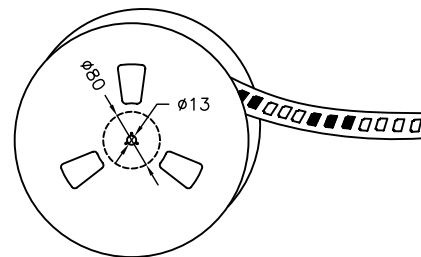
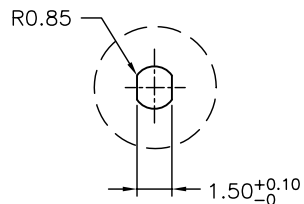
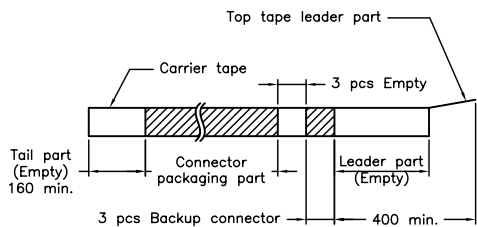
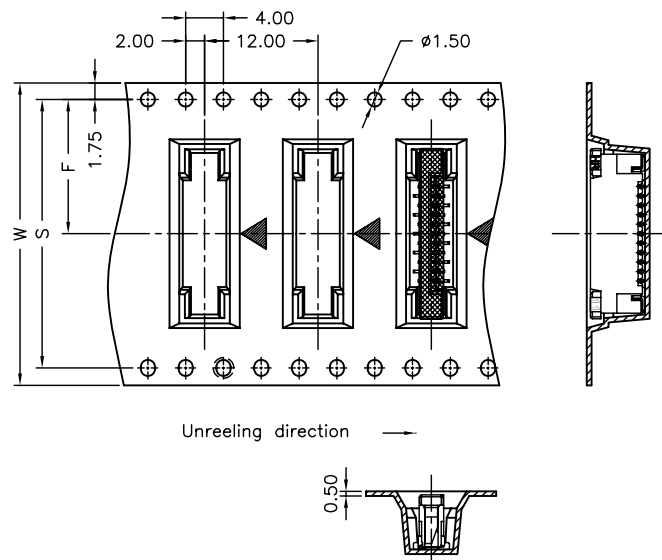
| Circuit No. | Dimensions | | | Circuit No. | Dimensions | | |
|-------------|------------|-------|-------|-------------|------------|-------|-------|
| | A | B | C | | A | B | C |
| 04P | 3.00 | 11.00 | 5.10 | 20P | 19.00 | 27.00 | 21.10 |
| 05P | 4.00 | 12.00 | 6.10 | 21P | 20.00 | 28.00 | 22.10 |
| 06P | 5.00 | 13.00 | 7.10 | 22P | 21.00 | 29.00 | 23.10 |
| 07P | 6.00 | 14.00 | 8.10 | 23P | 22.00 | 30.00 | 24.10 |
| 08P | 7.00 | 15.00 | 9.10 | 24P | 23.00 | 31.00 | 25.10 |
| 09P | 8.00 | 16.00 | 10.10 | 25P | 24.00 | 32.00 | 26.10 |
| 10P | 9.00 | 17.00 | 11.10 | 26P | 25.00 | 33.00 | 27.10 |
| 11P | 10.00 | 18.00 | 12.10 | 27P | 26.00 | 34.00 | 28.10 |
| 12P | 11.00 | 19.00 | 13.10 | 28P | 27.00 | 35.00 | 29.10 |
| 13P | 12.00 | 20.00 | 14.10 | 29P | 28.00 | 36.00 | 30.10 |
| 14P | 13.00 | 21.00 | 15.10 | 30P | 29.00 | 37.00 | 31.10 |
| 15P | 14.00 | 22.00 | 16.10 | 31P | 30.00 | 38.00 | 32.10 |
| 16P | 15.00 | 23.00 | 17.10 | 32P | 31.00 | 39.00 | 33.10 |
| 17P | 16.00 | 24.00 | 18.10 | 33P | 32.00 | 40.00 | 34.10 |
| 18P | 17.00 | 25.00 | 19.10 | 34P | 33.00 | 41.00 | 35.10 |
| 19P | 18.00 | 26.00 | 20.10 | | | | |

| | | | | | | |
|------|--------------|------------|-------------------|-------------|--|--|
| | | | | | 燦達電子工業股份有限公司 JOINT TECH ELECTRONIC IND. CO., LTD. | |
| | | | UNIT | SCALE | SHEET | TITLE: |
| | | | mm | | 1 of 2 | |
| | | | DRAWN BY | APPROVED BY | | 1.00mm PITCH FFC/FPC CONNECTOR, 180° SMT TYPE, ZIF |
| | | | 李勤 | 董正一 | | |
| A3 | EN0911030531 | 2009.11.03 | 2006.04.26 | 2006.04.26 | | |
| A2 | REVISE | 2009.06.09 | GENERAL TOLERANCE | | | |
| A1 | REVISE | 2009.04.30 | X.X±0.25 | ANGLE± | | |
| A0 | NEW RELEASE | 2006.04.26 | X.XX±0.15 | | | |
| REV. | DESCRIPTION | DATE | X.XXX±0.05 | | | DRAW NO. : F1003WV-S-XP |
| | | | | | | REV. A3 |

04~09 Contacts



10~34 Contacts



| Number of Contacts | W±0.3 | F±0.1 | S±0.1 | Q'ty/Reel | Number of Contacts | W±0.3 | F±0.1 | S±0.1 | Q'ty/Reel | |
|--------------------|-------|-------|-------|-----------|--------------------|-------|-------|-------|-----------|-----|
| 04P | 24 | 11.50 | / | 800 | 20P | 44 | 20.20 | 40.40 | 800 | |
| 05P | 24 | 11.50 | | 21P | 44 | 20.20 | 40.40 | 800 | | |
| 06P | 24 | 11.50 | | 22P | 44 | 20.20 | 40.40 | 800 | | |
| 07P | 24 | 11.50 | | 23P | 44 | 20.20 | 40.40 | 800 | | |
| 08P | 24 | 11.50 | | 24P | 44 | 20.20 | 40.40 | 800 | | |
| 09P | 24 | 11.50 | | 25P | 44 | 20.20 | 40.40 | 800 | | |
| 10P | 32 | 14.20 | | 26P | 56 | 26.20 | 52.40 | 800 | | |
| 11P | 32 | 14.20 | | 28.40 | 800 | 27P | 56 | 26.20 | 52.40 | 800 |
| 12P | 32 | 14.20 | | 28.40 | 800 | 28P | 56 | 26.20 | 52.40 | 800 |
| 13P | 32 | 14.20 | 28.40 | 800 | 29P | 56 | 26.20 | 52.40 | 800 | |
| 14P | 44 | 20.20 | 40.40 | 800 | 30P | 56 | 26.20 | 52.40 | 800 | |
| 15P | 44 | 20.20 | 40.40 | 800 | 31P | 56 | 26.20 | 52.40 | 800 | |
| 16P | 44 | 20.20 | 40.40 | 800 | 32P | 56 | 26.20 | 52.40 | 800 | |
| 17P | 44 | 20.20 | 40.40 | 800 | 33P | 56 | 26.20 | 52.40 | 800 | |
| 18P | 44 | 20.20 | 40.40 | 800 | 34P | 56 | 26.20 | 52.40 | 800 | |
| 19P | 44 | 20.20 | 40.40 | 800 | | | | | | |

NOTE:

Material: Transparent
Anti-static Polystyrene.

| | | | | | | | |
|-------------------------|--------------|-------------|------------|--|-------|---------|--------|
| | | | | UNIT | SCALE | SHEET | TITLE: |
| | | | | mm | | 2 of 2 | |
| DRAWN BY | | APPROVED BY | | 1.00mm PITCH FFC/FPC CONNECTOR, 180° SMT TYPE, ZIF, TAPING SPEC. | | | |
| 歐陽小強 | | 董正一 | | | | | |
| 2006.12.07 | | 2006.12.07 | | | | | |
| GENERAL TOLERANCE | | | | | | | |
| A1 | EN0911030531 | 2009.11.03 | X.X±0.25 | ANGLE± | | | |
| A0 | NEW RELEASE | 2006.12.07 | X.XX±0.15 | | | | |
| REV. | DESCRIPTION | DATE | X.XXX±0.05 | | | | |
| DRAW NO. : F1003WV-S-XP | | | | | | REV. A1 | |