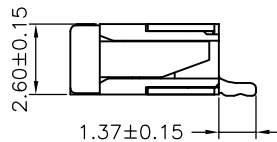
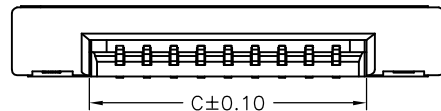
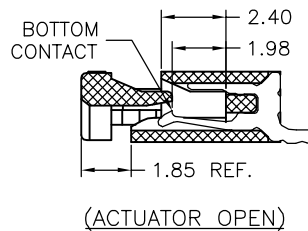
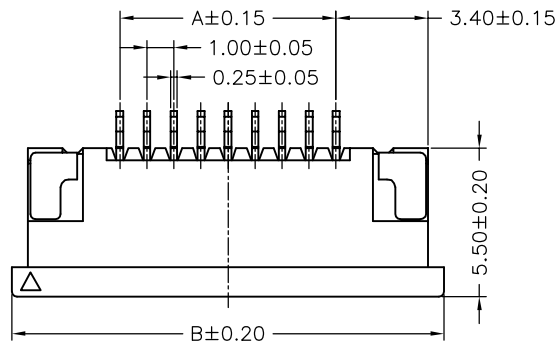


SUGGESTED PCB LAYOUT
(COMPONENT SIDE)

SPECIFICATIONS
 Current Rating: 0.5A AC,DC
 Voltage Rating: 50V AC,DC
 Temperature Range: -25°C ~ +85°C
 Contact Resistance: 30mΩ Max.
 Insulation Resistance: 500MΩ Min.
 Withstanding Voltage: 500V AC/minute
 Contacts: Phosphor Bronze/Tin-plated
 Solder Tabs: Brass/Tin-plated
 Housing: Nylon 6T,UL94V-0,Natural(Beige)
 Actuator: Nylon 6T,UL94V-0,Natural(Black)

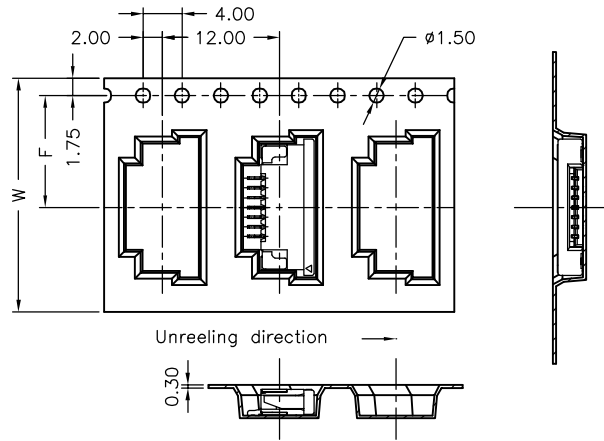


Ordering Information & Dimensions

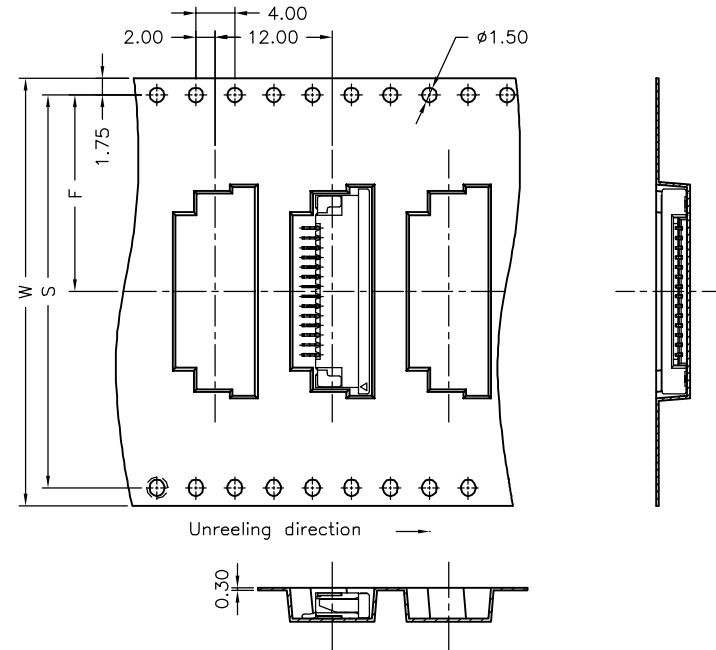
PART NO.	Dimensions			PART NO.	Dimensions		
	A	B	C		A	B	C
F1003WR-S-04PB	3.00	11.00	5.25	F1003WR-S-20PB	19.00	27.00	21.25
F1003WR-S-05PB	4.00	12.00	6.25	F1003WR-S-21PB	20.00	28.00	22.25
F1003WR-S-06PB	5.00	13.00	7.25	F1003WR-S-22PB	21.00	29.00	23.25
F1003WR-S-07PB	6.00	14.00	8.25	F1003WR-S-23PB	22.00	30.00	24.25
F1003WR-S-08PB	7.00	15.00	9.25	F1003WR-S-24PB	23.00	31.00	25.25
F1003WR-S-09PB	8.00	16.00	10.25	F1003WR-S-25PB	24.00	32.00	26.25
F1003WR-S-10PB	9.00	17.00	11.25	F1003WR-S-26PB	25.00	33.00	27.25
F1003WR-S-11PB	10.00	18.00	12.25	F1003WR-S-27PB	26.00	34.00	28.25
F1003WR-S-12PB	11.00	19.00	13.25	F1003WR-S-28PB	27.00	35.00	29.25
F1003WR-S-13PB	12.00	20.00	14.25	F1003WR-S-29PB	28.00	36.00	30.25
F1003WR-S-14PB	13.00	21.00	15.25	F1003WR-S-30PB	29.00	37.00	31.25
F1003WR-S-15PB	14.00	22.00	16.25	F1003WR-S-31PB	30.00	38.00	32.25
F1003WR-S-16PB	15.00	23.00	17.25	F1003WR-S-32PB	31.00	39.00	33.25
F1003WR-S-17PB	16.00	24.00	18.25	F1003WR-S-33PB	32.00	40.00	34.25
F1003WR-S-18PB	17.00	25.00	19.25	F1003WR-S-34PB	33.00	41.00	35.25
F1003WR-S-19PB	18.00	26.00	20.25				

				JOINT TECH ELECTRONIC IND. CO., LTD. JOY DAY INDUSTRIAL CO., LTD.		
		UNIT	SCALE	SHEET	TITLE:	
		mm		1 of 2		
		DRAWN BY		APPROVED BY		1.00mm PITCH FFC/FPC CONNECTOR 90° SMT TYPE, ZIF, BOTTOM CONTACT STYLE
		李勤		董正一		
		2006.03.09		2006.03.09		
		GENERAL TOLERANCE				
A2	REVISE	2006.12.07	X. X±0.25	ANGLE±		DRAW NO.: F1003WR-S-XPB
A1	REVISE	2006.04.26	X. XX±0.15			
A0	NEW RELEASE	2006.03.09	X. XXX±0.05			
REV.	DESCRIPTION	DATE			REV. A2	

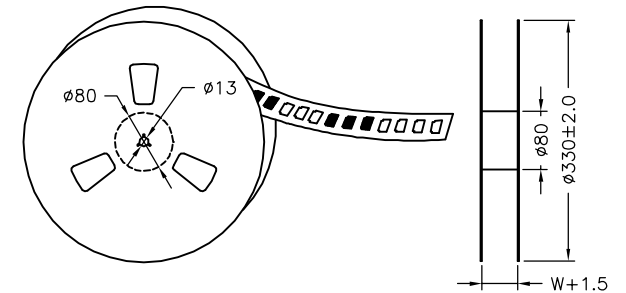
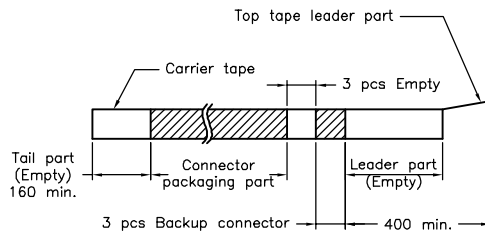
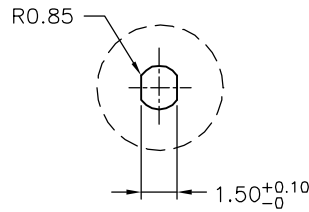
04~07 Contacts



08~34 Contacts



Number of Contacts	W±0.3	F±0.1	S±0.1	Q'ty/Reel
04P	24	11.50	/	1,500
05P	24	11.50		1,500
06P	24	11.50		1,500
07P	24	11.50		1,500
08P	32	14.20	28.40	1,500
09P	32	14.20	28.40	1,500
10P	32	14.20	28.40	1,500
11P	32	14.20	28.40	1,500
12P	32	14.20	28.40	1,500
13P	44	20.20	40.40	1,500
14P	44	20.20	40.40	1,500
15P	44	20.20	40.40	1,500
16P	44	20.20	40.40	1,500
17P	44	20.20	40.40	1,500
18P	44	20.20	40.40	1,500
19P	44	20.20	40.40	1,500
20P	44	20.20	40.40	1,500
21P	44	20.20	40.40	1,500
22P	44	20.20	40.40	1,500
23P	44	20.20	40.40	1,500
24P	44	20.20	40.40	1,500
25P	44	20.20	40.40	1,500
26P	56	26.20	52.40	1,500
27P	56	26.20	52.40	1,500
28P	56	26.20	52.40	1,500
29P	56	26.20	52.40	1,500
30P	56	26.20	52.40	1,500
31P	56	26.20	52.40	1,500
32P	56	26.20	52.40	1,500
33P	56	26.20	52.40	1,500
34P	56	26.20	52.40	1,500



		UNIT	SCALE	SHEET	
		mm		2 of 2	
		DRAWN BY		APPROVED BY	
		李勤		董正一	
		2006.03.09		2006.03.09	
		GENERAL TOLERANCE			
A2	REVISE	2006.12.07			
A1	REVISE	2006.04.26	X. X±0.25	ANGLE±	
A0	NEW RELEASE	2006.03.09	X. XX±0.15		
REV.	DESCRIPTION	DATE	X. XXX±0.05		
TITLE: 1.00mm PITCH FFC/FPC CONNECTOR 90°SMT TYPE, ZIF, BOTTOM CONTACT STYLE TAPING SPEC.					
DRAW NO. : F1003WR-S-XPB					REV. A2