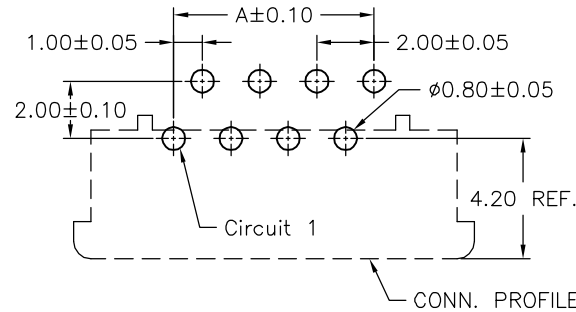
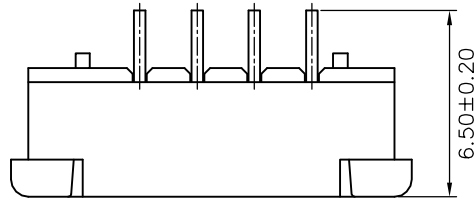


**SPECIFICATIONS**

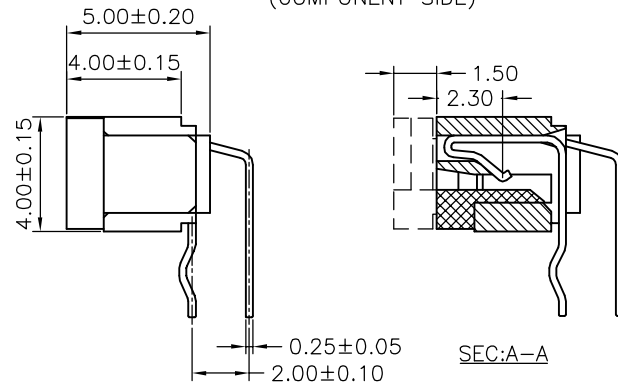
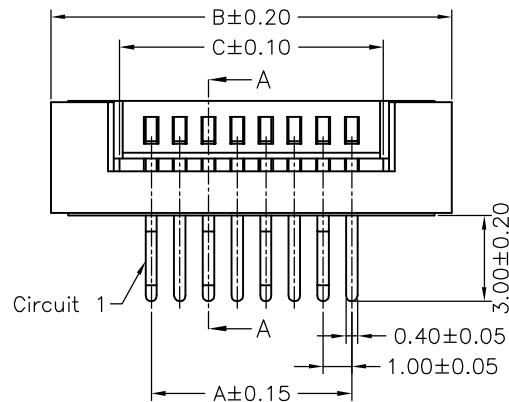
Current Rating: 0.5A AC,DC  
 Voltage Rating: 50V AC,DC  
 Temperature Range: -25°C ~ +85°C  
 Contact Resistance: 30mΩ Max.  
 Insulation Resistance: 500MΩ Min.  
 Withstanding Voltage: 500V AC/minute  
 Pin Material: Phosphor Bronze/Tin-plated  
 Housing: Nylon 46,UL94V-0,Natural(Beige)  
 Actuator: Nylon 46,UL94V-0,Brown

**Ordering Information & Dimensions**

PART NO.	Dimensions		
	A	B	C
F1002WR-04PT	3.00	10.00	5.20
F1002WR-05PT	4.00	11.00	6.20
F1002WR-06PT	5.00	12.00	7.20
F1002WR-07PT	6.00	13.00	8.20
F1002WR-08PT	7.00	14.00	9.20
F1002WR-09PT	8.00	15.00	10.20
F1002WR-10PT	9.00	16.00	11.20
F1002WR-11PT	10.00	17.00	12.20
F1002WR-12PT	11.00	18.00	13.20
F1002WR-13PT	12.00	19.00	14.20
F1002WR-14PT	13.00	20.00	15.20
F1002WR-15PT	14.00	21.00	16.20
F1002WR-16PT	15.00	22.00	17.20
F1002WR-17PT	16.00	23.00	18.20
F1002WR-18PT	17.00	24.00	19.20
F1002WR-19PT	18.00	25.00	20.20
F1002WR-20PT	19.00	26.00	21.20
F1002WR-21PT	20.00	27.00	22.20
F1002WR-22PT	21.00	28.00	23.20
F1002WR-23PT	22.00	29.00	24.20
F1002WR-24PT	23.00	30.00	25.20
F1002WR-25PT	24.00	31.00	26.20
F1002WR-26PT	25.00	32.00	27.20
F1002WR-27PT	26.00	33.00	28.20
F1002WR-28PT	27.00	34.00	29.20
F1002WR-29PT	28.00	35.00	30.20
F1002WR-30PT	29.00	36.00	31.20
F1002WR-31PT	30.00	37.00	32.20
F1002WR-32PT	31.00	38.00	33.20



SUGGESTED PCB LAYOUT  
(COMPONENT SIDE)



				JOINT TECH ELECTRONIC IND. CO., LTD. JOY DAY INDUSTRIAL CO., LTD.	
		UNIT	SCALE	SHEET	TITLE:
		mm		1 of 1	1.00mm PITCH
		DRAWN BY	APPROVED BY		FFC/FPC CONNECTOR
		蕭惠鳳	董正一		90° DIP TYPE, ZIF,
		2002.07.03	2002.07.03		TOP CONTACT STYLE
		GENERAL TOLERANCE			
B1	REVISE	2008.01.16	X.X±0.25	ANGLE±	DRAW NO. : F1002WR-XPT
B0	NEW RELEASE	2005.11.19	X.XX±0.15		
REV.	DESCRIPTION	DATE	X.XXX±0.05		
					REV. B1