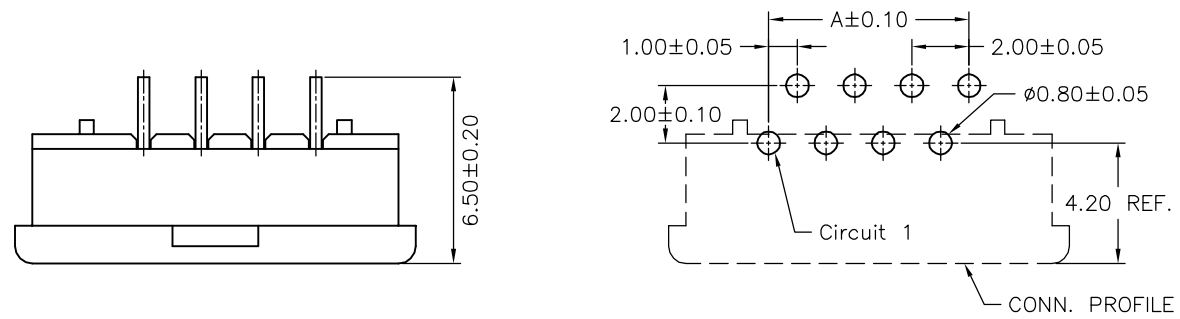
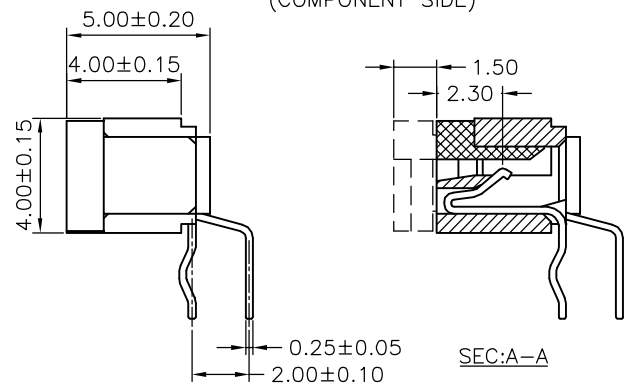
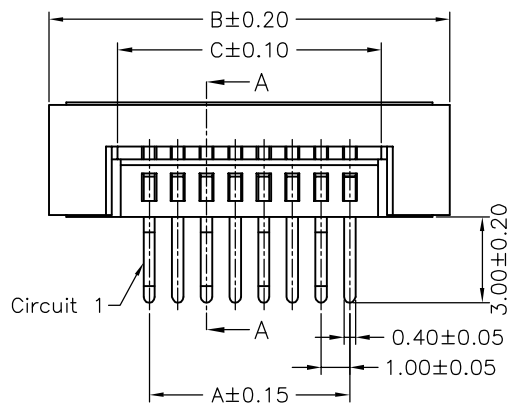


SPECIFICATIONS
 Current Rating: 0.5A AC,DC
 Voltage Rating: 50V AC,DC
 Temperature Range: -25°C ~ +85°C
 Contact Resistance: 30mΩ Max.
 Insulation Resistance: 500MΩ Min.
 Withstanding Voltage: 500V AC/minute
 Pin Material: Phosphor Bronze/Tin-plated
 Housing: Nylon 46,UL94V-0,Natural(Beige)
 Actuator: Nylon 46,UL94V-0,Brown



SUGGESTED PCB LAYOUT
(COMPONENT SIDE)



Ordering Information & Dimensions

PART NO.	Dimensions		
	A	B	C
F1002WR-04PB	3.00	10.00	5.20
F1002WR-05PB	4.00	11.00	6.20
F1002WR-06PB	5.00	12.00	7.20
F1002WR-07PB	6.00	13.00	8.20
F1002WR-08PB	7.00	14.00	9.20
F1002WR-09PB	8.00	15.00	10.20
F1002WR-10PB	9.00	16.00	11.20
F1002WR-11PB	10.00	17.00	12.20
F1002WR-12PB	11.00	18.00	13.20
F1002WR-13PB	12.00	19.00	14.20
F1002WR-14PB	13.00	20.00	15.20
F1002WR-15PB	14.00	21.00	16.20
F1002WR-16PB	15.00	22.00	17.20
F1002WR-17PB	16.00	23.00	18.20
F1002WR-18PB	17.00	24.00	19.20
F1002WR-19PB	18.00	25.00	20.20
F1002WR-20PB	19.00	26.00	21.20
F1002WR-21PB	20.00	27.00	22.20
F1002WR-22PB	21.00	28.00	23.20
F1002WR-23PB	22.00	29.00	24.20
F1002WR-24PB	23.00	30.00	25.20
F1002WR-25PB	24.00	31.00	26.20
F1002WR-26PB	25.00	32.00	27.20
F1002WR-27PB	26.00	33.00	28.20
F1002WR-28PB	27.00	34.00	29.20
F1002WR-29PB	28.00	35.00	30.20
F1002WR-30PB	29.00	36.00	31.20
F1002WR-31PB	30.00	37.00	32.20
F1002WR-32PB	31.00	38.00	33.20

				JOINT TECH ELECTRONIC IND. CO., LTD. JOY DAY INDUSTRIAL CO., LTD.	
		UNIT	SCALE	SHEET	TITLE:
		mm		1 of 1	1.00mm PITCH FFC/FPC CONNECTOR 90° DIP TYPE, ZIF, BOTTOM CONTACT STYLE
		DRAWN BY 蕭惠鳳 2002.07.03		APPROVED BY 董正一 2002.07.03	
		GENERAL TOLERANCE			
B1	REVISE	2008.01.16	X.X±0.25	ANGLE±	DRAW NO. : F1002WR-XPB
B0	NEW RELEASE	2005.11.19	X.XX±0.15		
REV.	DESCRIPTION	DATE	X.XXX±0.05		