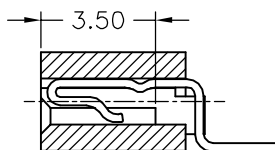
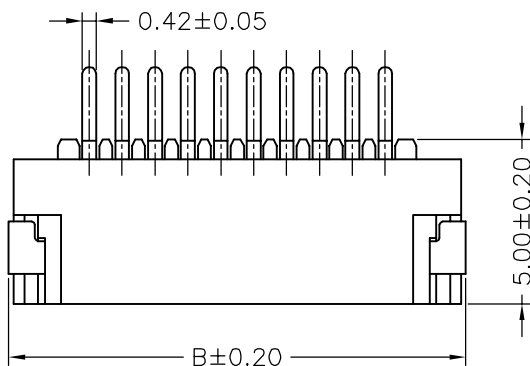
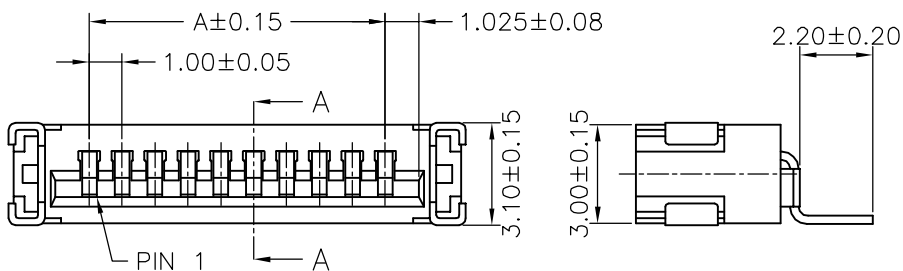


SUGGESTED PCB LAYOUT  
(COMPONENT SIDE)



SEC:A-A



SPECIFICATIONS

Current Rating: 0.5A AC,DC  
 Voltage Rating: 50V AC,DC  
 Temperature Range: -25°C ~ +85°C  
 Contact Resistance: 30mΩ Max.  
 Insulation Resistance: 500MΩ Min.  
 Withstanding Voltage: 500V AC/minute  
 Pin Material: Phosphor Bronze/Tin-plated  
 Material: Nylon 9T,UL94V-0  
 Color: Natural(Black)

Ordering Information & Dimensions

PART NO.	Dimensions		PART NO.	Dimensions	
	A	B		A	B
F1000WR-S-03PT	2.00	6.90	F1000WR-S-19PT	18.00	22.90
F1000WR-S-04PT	3.00	7.90	F1000WR-S-20PT	19.00	23.90
F1000WR-S-05PT	4.00	8.90	F1000WR-S-21PT	20.00	24.90
F1000WR-S-06PT	5.00	9.90	F1000WR-S-22PT	21.00	25.90
F1000WR-S-07PT	6.00	10.90	F1000WR-S-23PT	22.00	26.90
F1000WR-S-08PT	7.00	11.90	F1000WR-S-24PT	23.00	27.90
F1000WR-S-09PT	8.00	12.90	F1000WR-S-25PT	24.00	28.90
F1000WR-S-10PT	9.00	13.90	F1000WR-S-26PT	25.00	29.90
F1000WR-S-11PT	10.00	14.90	F1000WR-S-27PT	26.00	30.90
F1000WR-S-12PT	11.00	15.90	F1000WR-S-28PT	27.00	31.90
F1000WR-S-13PT	12.00	16.90	F1000WR-S-29PT	28.00	32.90
F1000WR-S-14PT	13.00	17.90	F1000WR-S-30PT	29.00	33.90
F1000WR-S-15PT	14.00	18.90	F1000WR-S-31PT	30.00	34.90
F1000WR-S-16PT	15.00	19.90	F1000WR-S-32PT	31.00	35.90
F1000WR-S-17PT	16.00	20.90	F1000WR-S-33PT	32.00	36.90
F1000WR-S-18PT	17.00	21.90	F1000WR-S-34PT	33.00	37.90

				UNIT    SCALE    SHEET mm                    1 of 1	
		DRAWN BY    APPROVED BY 董正一                    董正一 2002.07.18    2002.07.18		TITLE: 1.00mm PITCH FFC/FPC CONNECTOR 90° SMT TYPE, NON-ZIF, TOP CONTACT STYLE	
		GENERAL TOLERANCE B1    REVISE    2008.01.16    X.X±0.25    ANGLE± B0    NEW RELEASE    2005.11.19    X.XX±0.15 REV.    DESCRIPTION    DATE    X.XXX±0.05			
				DRAW NO. :    F1000WR-S-XPT    REV. B1	