
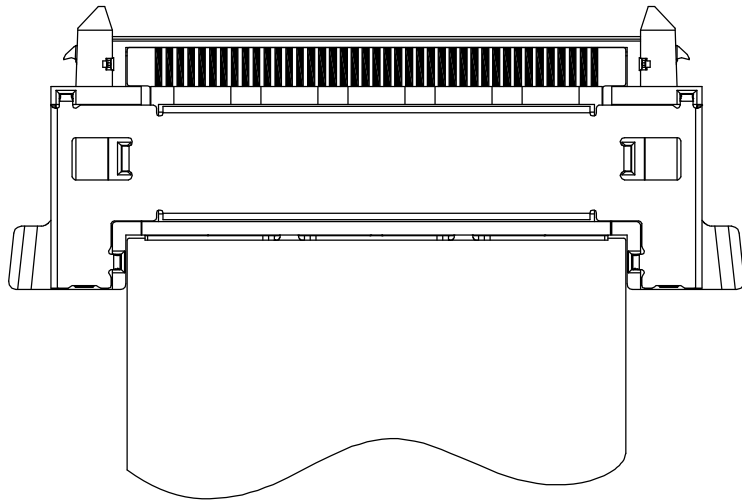
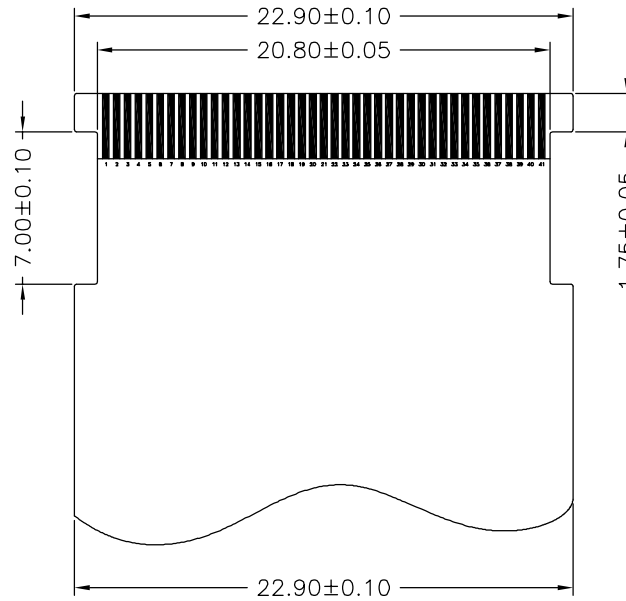


No.	Part No.	Description	Material	Color
1		Insulator	Nylon 46,UL94V-0	Black
2	F0506HA-41P-5	Ground plate	Stainless	---
3		Lock lever	Stainless	---
4	F0506HA-41P-C5	Cap	Nylon 46,UL94V-0	Black
5	TCF0506HA-T-41P-QS0	Top cover	Stainless	---

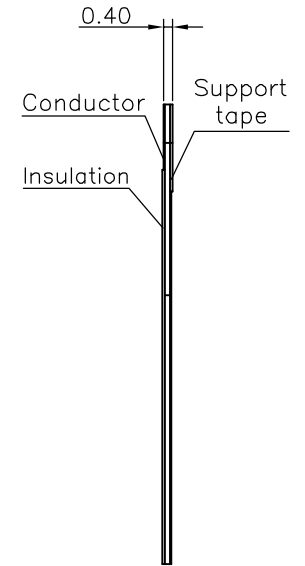
				JOINT TECH ELECTRONIC IND. CO., LTD. JOY DAY INDUSTRIAL CO., LTD.	
		UNIT	SCALE	SHEET	TITLE:
		mm		1 of 2	0.50mm PITCH CONNECTOR FOR FFC, LOCK TYPE
		DRAWN BY	APPROVED BY		
		歐陽小強	謝瑞清		
		2009.08.12	2009.08.12		
		GENERAL TOLERANCE			
				ANGLE±	
A0	NEW RELEASE	2009.08.12	X.X±0.25	▽	DRAW NO. :
REV.	DESCRIPTION	DATE	X.XX±0.15 X.XXX±0.05	⊕	F0506HA-41P-501
					REV. A0



Mated condition (REF.)



Recommended FFC dimension
FFC T=0.40mm



						JOINT TECH ELECTRONIC IND. CO., LTD. JOY DAY INDUSTRIAL CO., LTD.	
						UNIT	SCALE
				mm		2 of 2	0.50mm PITCH CONNECTOR FOR FFC, LOCK TYPE
				DRAWN BY	APPROVED BY		
				歐陽小強	謝瑞清		
				2009.08.12	2009.08.12		
				GENERAL TOLERANCE			
				X. X±0.25	ANGLE±		
A0	NEW RELEASE	2009.08.12	X. XX±0.15			DRAW NO. :	
REV.	DESCRIPTION	DATE	X. XXX±0.05			F0506HA-41P-501	