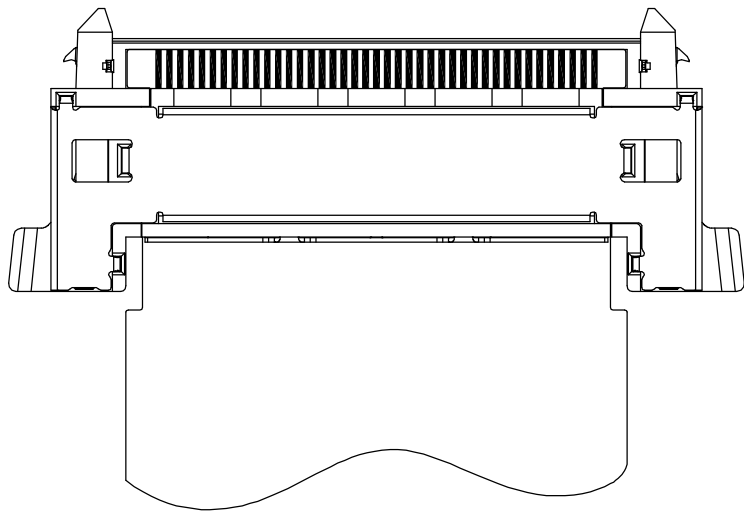
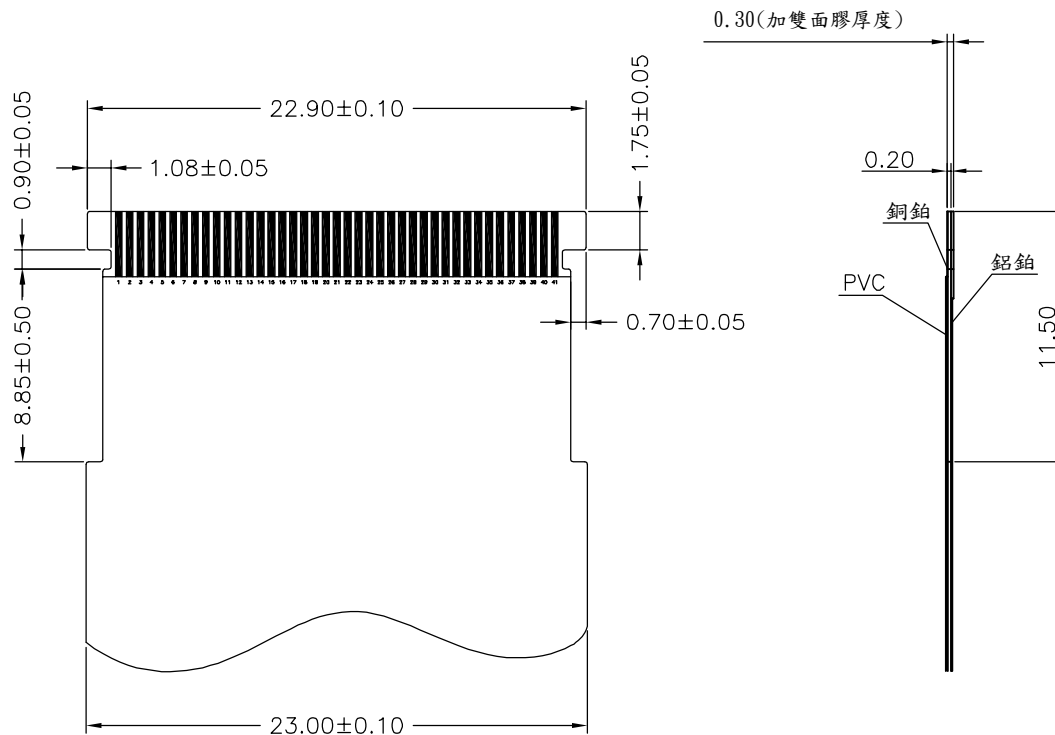


No.	Part No.	Description	Material	Color
1		Insulator	Nylon 46,UL94V-0	Black
2	F0506HA-41P	Ground plate	Stainless	---
3		Lock lever	Stainless	---
4	F0506HA-41P-C	Cap	Nylon 46,UL94V-0	Black
5	TCF0506HA-T-41P-QS0	Top cover	Stainless	---


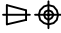
		UNIT	SCALE
		mm	1 of 2
		DRAWN BY	APPROVED BY
		歐陽小強	謝瑞清
		2009.06.22	2009.06.22
		GENERAL TOLERANCE	
A2	EN0911300586	2009.11.30	ANGLE±
A1	ECN NO. EN0910150500	2009.10.15	X.X±0.25
A0	NEW RELEASE	2009.06.22	X.XX±0.15
REV.	DESCRIPTION	DATE	X.XXX±0.05
		TITLE:	
		0.50mm PITCH CONNECTOR FOR FFC, LOCK TYPE	
		DRAW NO. :	REV.
		F0506HA-41P-001	A2



Mated condition (REF.)



Recommended FFC dimension
FFC T=0.30mm

				 JOINT TECH ELECTRONIC IND. CO., LTD. JOY DAY INDUSTRIAL CO., LTD.	
		UNIT	SCALE	SHEET	TITLE:
		mm		2 of 2	P/N:F0506HA-41P-001, 0.50mm PITCH CONNECTOR FOR FFC, LOCK TYPE
		DRAWN BY	APPROVED BY		DRAW NO. : F0506HA-41P-001
		歐陽小強	謝瑞清		
		2009.06.22	2009.06.22		REV. A0
		GENERAL TOLERANCE			
		X. X±0.25	ANGLE±		
A0	NEW RELEASE	2009.06.22	X. XX±0.15		
REV.	DESCRIPTION	DATE	X. XXX±0.05		