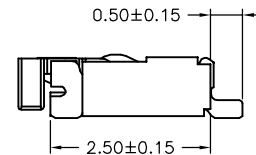
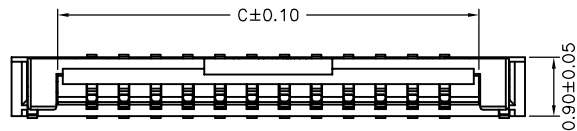
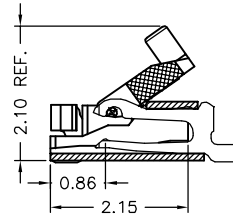
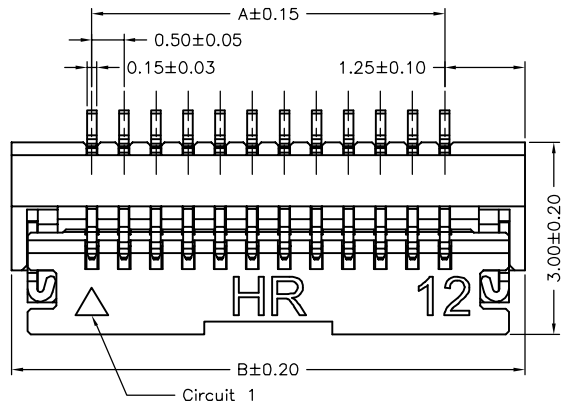


SPECIFICATIONS
 Current Rating: 0.5A AC,DC
 Voltage Rating: 50V AC,DC
 Temperature Range: -25°C ~ +85°C
 Contact Resistance: 100mΩ Max.
 Insulation Resistance: 500MΩ Min.
 Withstanding Voltage: 150V AC/minute
 Contacts: Phosphor Bronze/Gold-plated
 Solder Tabs: Phosphor Bronze/Gold-flash
 Housing: LCP,UL94V-0,Natural(Beige)
 Cover: Nylon 6T,UL94V-0,Natural(Black)

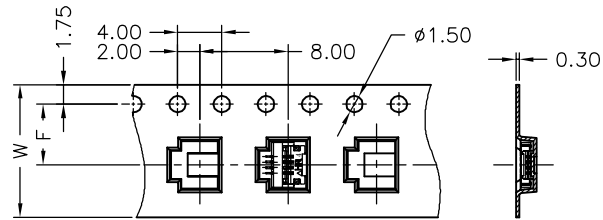


Ordering Information & Dimensions

PART NO.	Dimensions		
	A	B	C
F0504WR-S-04P	1.50	4.00	2.57
F0504WR-S-09P	4.00	6.50	5.07
F0504WR-S-12P	5.50	8.00	6.57
F0504WR-S-13P	6.00	8.50	7.07
F0504WR-S-17P	8.00	10.50	9.07
F0504WR-S-18P	8.50	11.00	9.57
F0504WR-S-20P	9.50	12.00	10.57
F0504WR-S-22P	10.50	13.00	11.57
F0504WR-S-24P	11.50	14.00	12.57
F0504WR-S-26P	12.50	15.00	13.57
F0504WR-S-27P	13.00	15.50	14.07
F0504WR-S-30P	14.50	17.00	15.57
F0504WR-S-40P	19.50	22.00	20.57
F0504WR-S-50P	24.50	27.00	25.57

UNIT	SCALE	SHEET	TITLE:	
mm		1 of 2	0.50mm PITCH	
DRAWN BY		APPROVED BY		
李勤		董正一		
2006.10.09		2006.10.09		
GENERAL TOLERANCE				
X. X±0.25		ANGLE±		
X. XX±0.15				
X. XXX±0.05				
A0	NEW RELEASE	2006.10.09	DRAW NO.:	
REV.	DESCRIPTION	DATE	F0504WR-S-XP	
				REV. A0

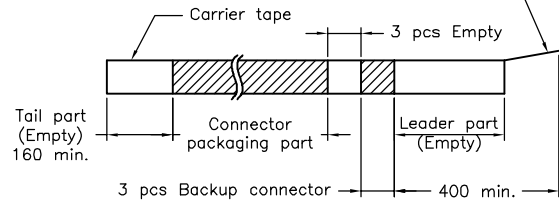
04~30 Contacts



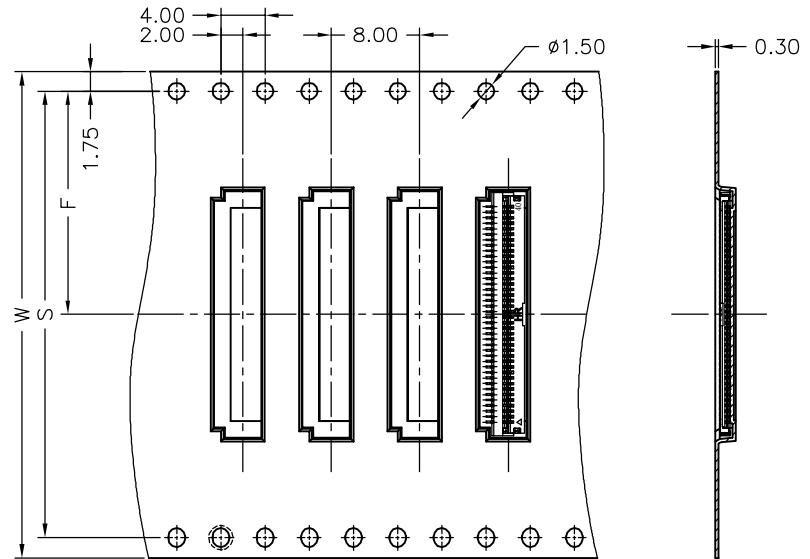
Unreeling direction →



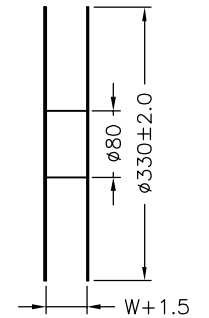
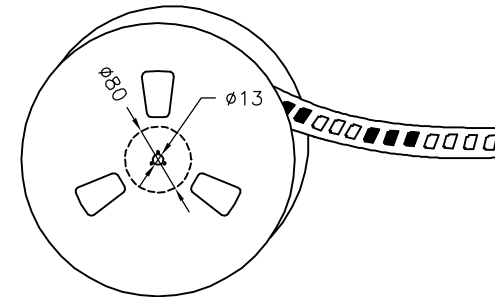
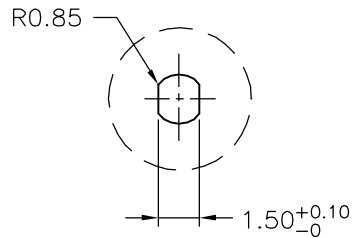
Top tape leader part



40~50 Contacts



Unreeling direction →



Number of Contacts	W±0.3	F±0.1	S±0.1	Q'ty/Reel
04P	12	5.50		4,000
09P	16	7.50		4,000
12P	16	7.50		4,000
13P	16	7.50		4,000
17P	24	11.50		4,000
18P	24	11.50		4,000
20P	24	11.50		4,000
22P	24	11.50		4,000
24P	24	11.50		4,000
26P	24	11.50		4,000
27P	24	11.50		4,000
30P	24	11.50		4,000
40P	44	20.20	40.40	4,000
50P	44	20.20	40.40	4,000

				JOINT TECH ELECTRONIC IND. CO., LTD. JOY DAY INDUSTRIAL CO., LTD.	
		UNIT	SCALE	SHEET	TITLE: 0.50mm PITCH FFC/FPC CONNECTOR, 90° SMT TYPE, ZIF, BOTTOM CONTACT STYLE, TAPING SPEC.
		mm		2 of 2	
		DRAWN BY 歐陽小強		APPROVED BY 董正一	
		2006.10.09		2006.10.09	
GENERAL TOLERANCE					
A1	REVISE	2007.09.07	X. X±0.25	ANGLE±	DRAW NO.: F0504WR-S-XP
A0	NEW RELEASE	2006.10.09	X. XX±0.15		
REV.	DESCRIPTION	DATE	X. XXX±0.05		
					REV. A1