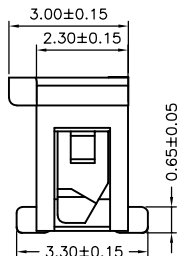
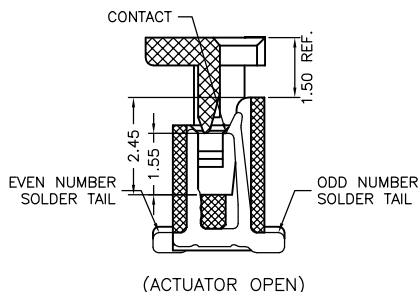
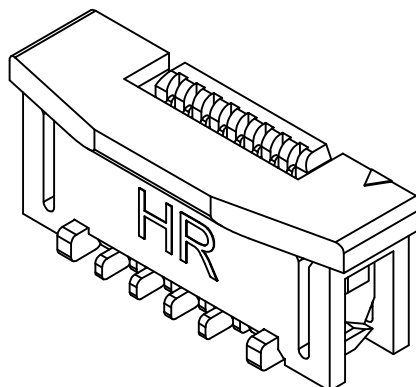
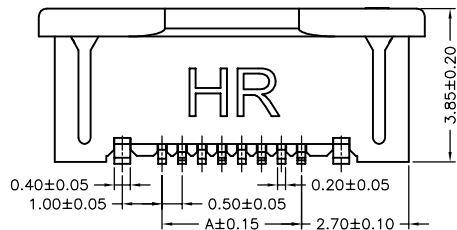
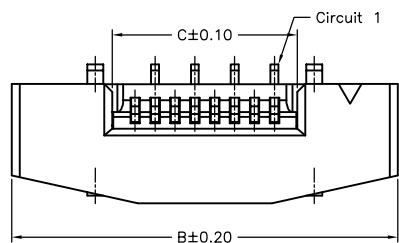


SUGGESTED PCB LAYOUT
(COMPONENT SIDE)



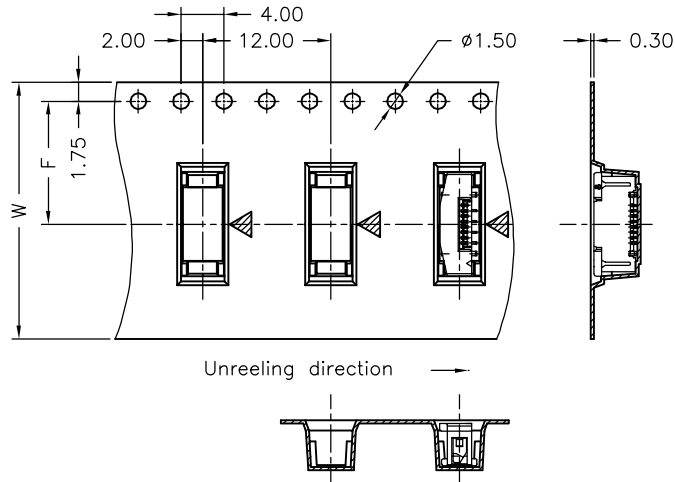
SPECIFICATIONS
 Current Rating: 0.5A AC,DC
 Voltage Rating: 50V AC,DC
 Temperature Range: -25°C ~ +85°C
 Contact Resistance: 30mΩ Max.
 Insulation Resistance: 100MΩ Min.
 Withstanding Voltage: 250V AC/minute
 Contacts: Phosphor Bronze/Tin-plated
 Solder Tabs: Brass/Tin-plated
 Housing: Nylon 46,UL94V-0,Natural(Beige)
 Actuator: Nylon 6T,UL94V-0,Natural(Black)

Ordering Information & Dimensions

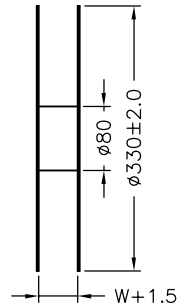
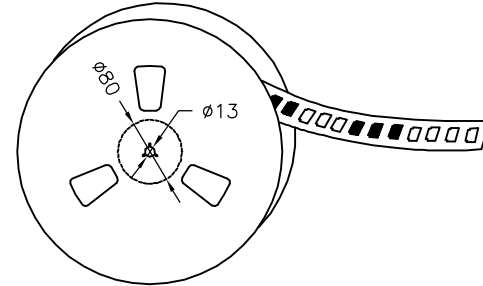
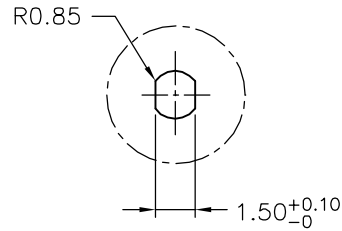
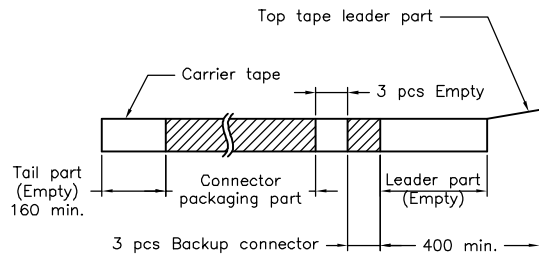
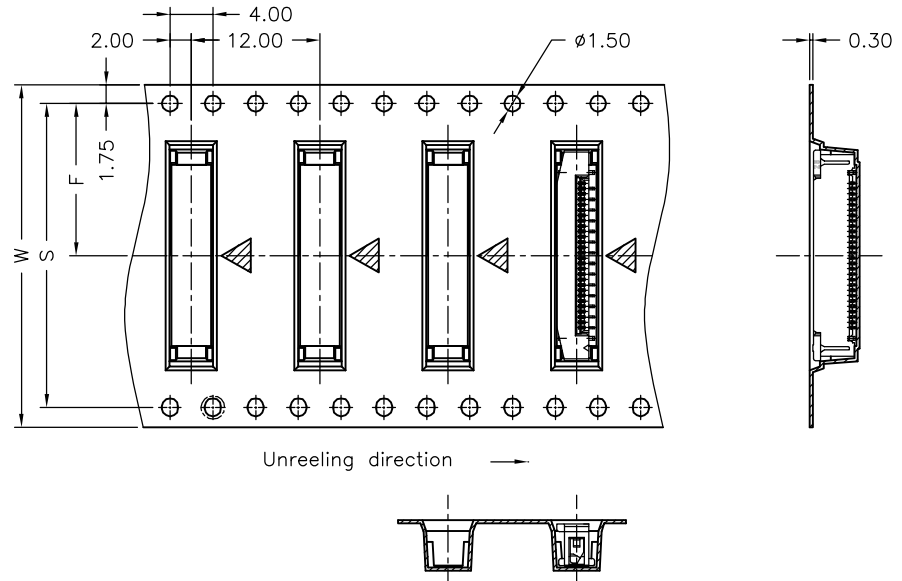
PART NO.	Dimensions			PART NO.	Dimensions		
	A	B	C		A	B	C
F0503WVA-S-04P	1.50	7.70	2.65	F0503WVA-S-23P	11.00	17.20	12.15
F0503WVA-S-05P	2.00	8.20	3.15	F0503WVA-S-24P	11.50	17.70	12.65
F0503WVA-S-06P	2.50	8.70	3.65	F0503WVA-S-25P	12.00	18.20	13.15
F0503WVA-S-07P	3.00	9.20	4.15	F0503WVA-S-26P	12.50	18.70	13.65
F0503WVA-S-08P	3.50	9.70	4.65	F0503WVA-S-27P	13.00	19.20	14.15
F0503WVA-S-09P	4.00	10.20	5.15	F0503WVA-S-28P	13.50	19.70	14.65
F0503WVA-S-10P	4.50	10.70	5.65	F0503WVA-S-29P	14.00	20.20	15.15
F0503WVA-S-11P	5.00	11.20	6.15	F0503WVA-S-30P	14.50	20.70	15.65
F0503WVA-S-12P	5.50	11.70	6.65	F0503WVA-S-31P	15.00	21.20	16.15
F0503WVA-S-13P	6.00	12.20	7.15	F0503WVA-S-32P	15.50	21.70	16.65
F0503WVA-S-14P	6.50	12.70	7.65	F0503WVA-S-33P	16.00	22.20	17.15
F0503WVA-S-15P	7.00	13.20	8.15	F0503WVA-S-34P	16.50	22.70	17.65
F0503WVA-S-16P	7.50	13.70	8.65	F0503WVA-S-35P	17.00	23.20	18.15
F0503WVA-S-17P	8.00	14.20	9.15	F0503WVA-S-36P	17.50	23.70	18.65
F0503WVA-S-18P	8.50	14.70	9.65	F0503WVA-S-37P	18.00	24.20	19.15
F0503WVA-S-19P	9.00	15.20	10.15	F0503WVA-S-38P	18.50	24.70	19.65
F0503WVA-S-20P	9.50	15.70	10.65	F0503WVA-S-39P	19.00	25.20	20.15
F0503WVA-S-21P	10.00	16.20	11.15	F0503WVA-S-40P	19.50	25.70	20.65
F0503WVA-S-22P	10.50	16.70	11.65	F0503WVA-S-45P	22.00	28.20	23.15

				JOINT TECH ELECTRONIC IND. CO., LTD. JOY DAY INDUSTRIAL CO., LTD.	
		UNIT	SCALE	SHEET	TITLE: 0.50mm PITCH FFC/FPC CONNECTOR 180°SMT TYPE, ZIF
		mm		1 of 2	
		DRAWN BY	APPROVED BY		
		董正一 2003.06.17	董正一 2003.06.17		
B2	REVISE	2006.05.12	GENERAL TOLERANCE		DRAW NO. : F0503WVA-S-XP
B1	REVISE	2006.03.09	X. X±0.25	ANGLE±	
B0	NEW RELEASE	2005.11.19	X. XX±0.15		
REV.	DESCRIPTION	DATE	X. XXX±0.05		
					REV. B2

04~22 Contacts



23~45 Contacts



Number of Contacts	W±0.3	F±0.1	S±0.1	Q'ty/Reel	Number of Contacts	W±0.3	F±0.1	S±0.1	Q'ty/Reel
04P	16	7.50		1,000	23P	32	14.20	28.40	1,000
05P	16	7.50		1,000	24P	32	14.20	28.40	1,000
06P	16	7.50		1,000	25P	32	14.20	28.40	1,000
07P	24	11.50		1,000	26P	32	14.20	28.40	1,000
08P	24	11.50		1,000	27P	32	14.20	28.40	1,000
09P	24	11.50		1,000	28P	32	14.20	28.40	1,000
10P	24	11.50		1,000	29P	32	14.20	28.40	1,000
11P	24	11.50		1,000	30P	32	14.20	28.40	1,000
12P	24	11.50		1,000	31P	32	14.20	28.40	1,000
13P	24	11.50		1,000	32P	32	14.20	28.40	1,000
14P	24	11.50		1,000	33P	32	14.20	28.40	1,000
15P	24	11.50		1,000	34P	32	14.20	28.40	1,000
16P	24	11.50		1,000	35P	32	14.20	28.40	1,000
17P	24	11.50		1,000	36P	32	14.20	28.40	1,000
18P	24	11.50		1,000	37P	32	14.20	28.40	1,000
19P	24	11.50		1,000	38P	32	14.20	28.40	1,000
20P	24	11.50		1,000	39P	32	14.20	28.40	1,000
21P	24	11.50		1,000	40P	44	20.20	40.40	1,000
22P	24	11.50		1,000	45P	44	20.20	40.40	1,000

		UNIT	SCALE	SHEET	TITLE:
		mm		2 of 2	
DRAWN BY		APPROVED BY		0.50mm PITCH FFC/FPC CONNECTOR, 180°SMT TYPE, ZIF, TAPING SPEC.	
歐陽小強		謝瑞清			
2007.08.02		2007.08.02		GENERAL TOLERANCE	
X.X±0.25		ANGLE±		DRAW NO. :	
X.XX±0.15					
X.XXX±0.05				F0503WVA-S-XP	
A0	NEW RELEASE	2007.08.02			REV.
REV.	DESCRIPTION	DATE			A0