

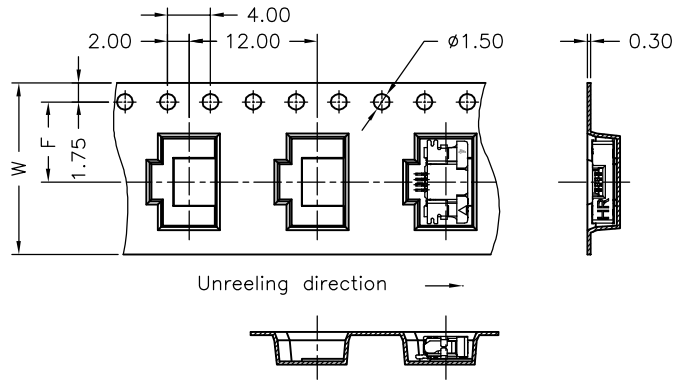
SPECIFICATIONS
 Current Rating: 0.5A AC,DC
 Voltage Rating: 50V AC,DC
 Temperature Range: -25°C ~ +85°C
 Contact Resistance: 30mΩ Max.
 Insulation Resistance: 100MΩ Min.
 Withstanding Voltage: 250V AC/minute
 Contacts: Phosphor Bronze/Gold-flash
 Solder Tabs: Brass/Gold-flash
 Housing: Nylon 6T,UL94V-0,Natural(Beige)
 Actuator: Nylon 6T,UL94V-0,Natural(Black)

Ordering Information & Dimensions

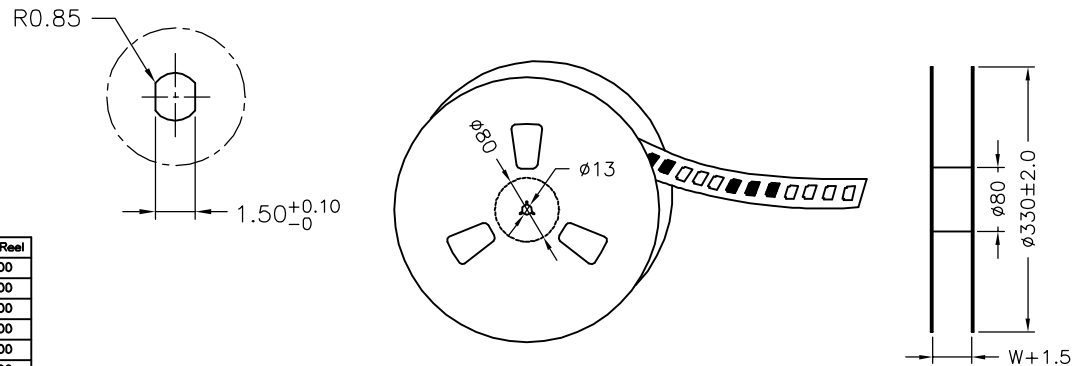
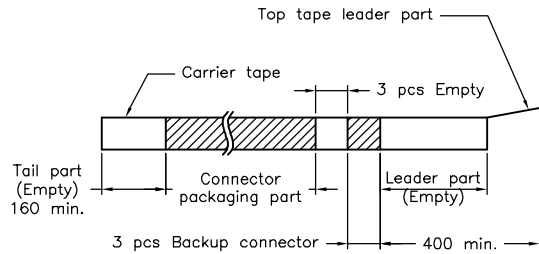
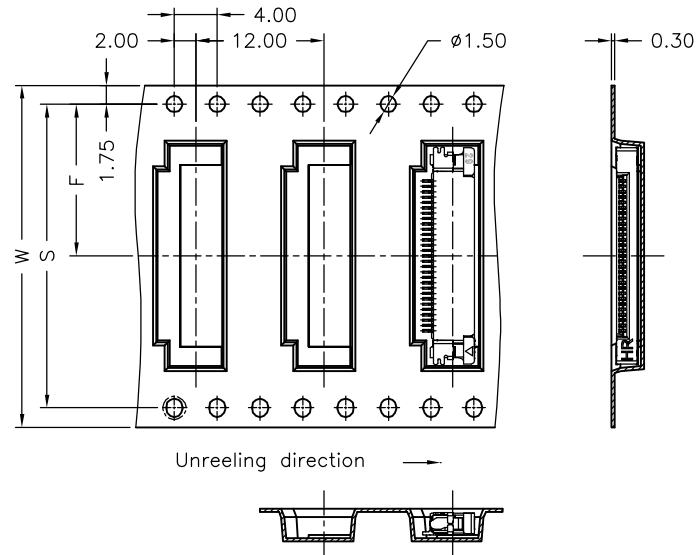
PART NO.	Dimensions			PART NO.	Dimensions		
	A	B	C		A	B	C
F0503WR-S-04PT	1.50	7.70	2.60	F0503WR-S-24PT	11.50	17.70	12.60
F0503WR-S-05PT	2.00	8.20	3.10	F0503WR-S-25PT	12.00	18.20	13.10
F0503WR-S-06PT	2.50	8.70	3.60	F0503WR-S-26PT	12.50	18.70	13.60
F0503WR-S-07PT	3.00	9.20	4.10	F0503WR-S-27PT	13.00	19.20	14.10
F0503WR-S-08PT	3.50	9.70	4.60	F0503WR-S-28PT	13.50	19.70	14.60
F0503WR-S-09PT	4.00	10.20	5.10	F0503WR-S-29PT	14.00	20.20	15.10
F0503WR-S-10PT	4.50	10.70	5.60	F0503WR-S-30PT	14.50	20.70	15.60
F0503WR-S-11PT	5.00	11.20	6.10	F0503WR-S-31PT	15.00	21.20	16.10
F0503WR-S-12PT	5.50	11.70	6.60	F0503WR-S-32PT	15.50	21.70	16.60
F0503WR-S-13PT	6.00	12.20	7.10	F0503WR-S-33PT	16.00	22.20	17.10
F0503WR-S-14PT	6.50	12.70	7.60	F0503WR-S-34PT	16.50	22.70	17.60
F0503WR-S-15PT	7.00	13.20	8.10	F0503WR-S-35PT	17.00	23.20	18.10
F0503WR-S-16PT	7.50	13.70	8.60	F0503WR-S-36PT	17.50	23.70	18.60
F0503WR-S-17PT	8.00	14.20	9.10	F0503WR-S-37PT	18.00	24.20	19.10
F0503WR-S-18PT	8.50	14.70	9.60	F0503WR-S-38PT	18.50	24.70	19.60
F0503WR-S-19PT	9.00	15.20	10.10	F0503WR-S-39PT	19.00	25.20	20.10
F0503WR-S-20PT	9.50	15.70	10.60	F0503WR-S-40PT	19.50	25.70	20.60
F0503WR-S-21PT	10.00	16.20	11.10	F0503WR-S-45PT	22.00	28.20	23.10
F0503WR-S-22PT	10.50	16.70	11.60	F0503WR-S-50PT	24.50	30.70	25.60
F0503WR-S-23PT	11.00	17.20	12.10				

					JOINT TECH ELECTRONIC IND. CO., LTD. JOY DAY INDUSTRIAL CO., LTD.	
			UNIT	SCALE	SHEET	TITLE: 0.50mm PITCH FFC/FPC CONNECTOR 90° SMT TYPE, ZIF, TOP CONTACT STYLE
			mm		1 of 2	
			DRAWN BY 董正一 2002.10.22	APPROVED BY 董正一 2002.10.22		
			GENERAL TOLERANCE			
B2	REVISE	2007.08.02				DRAW NO. : F0503WR-S-XPT
B1	REVISE	2006.05.12	X.X±0.25		ANGLE±	
B0	NEW RELEASE	2005.11.19	X.XX±0.15			
REV.	DESCRIPTION	DATE	X.XXX±0.05			
						REV. B2

04~21 Contacts



22~50 Contacts



Number of Contacts	W±0.3	F±0.1	S±0.1	Q'ty/Reel	Number of Contacts	W±0.3	F±0.1	S±0.1	Q'ty/Reel	
04P	16	7.50		1,500	24P	32	14.20	28.40	1,500	
05P	16	7.50		25P	32	14.20	28.40	1,500		
06P	24	11.50		26P	32	14.20	28.40	1,500		
07P	24	11.50		27P	32	14.20	28.40	1,500		
08P	24	11.50		28P	32	14.20	28.40	1,500		
09P	24	11.50		29P	32	14.20	28.40	1,500		
10P	24	11.50		30P	32	14.20	28.40	1,500		
11P	24	11.50		31P	44	20.20	40.40	1,500		
12P	24	11.50		32P	44	20.20	40.40	1,500		
13P	24	11.50		33P	44	20.20	40.40	1,500		
14P	24	11.50		34P	44	20.20	40.40	1,500		
15P	24	11.50		35P	44	20.20	40.40	1,500		
16P	24	11.50		36P	44	20.20	40.40	1,500		
17P	24	11.50		37P	44	20.20	40.40	1,500		
18P	24	11.50		38P	44	20.20	40.40	1,500		
19P	24	11.50		39P	44	20.20	40.40	1,500		
20P	24	11.50		40P	44	20.20	40.40	1,500		
21P	24	11.50		45P	44	20.20	40.40	1,500		
22P	32	14.20		28.40	1,500	50P	44	20.20	40.40	1,500
23P	32	14.20		28.40	1,500					

				UNIT	SCALE	SHEET	TITLE:
				mm		2 of 2	
DRAWN BY		APPROVED BY		FFC/FPC CONNECTOR, 90° SMT TYPE, ZIF, TOP CONTACT STYLE, TAPING SPEC.			
歐陽小強		謝瑞清					
2007.08.02		2007.08.02		GENERAL TOLERANCE			
X.X±0.25		ANGLE±		DRAW NO. : F0503WR-S-XPT			
X.XX±0.15							
X.XXX±0.05				REV. A0			
REV. DESCRIPTION		DATE					