
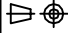


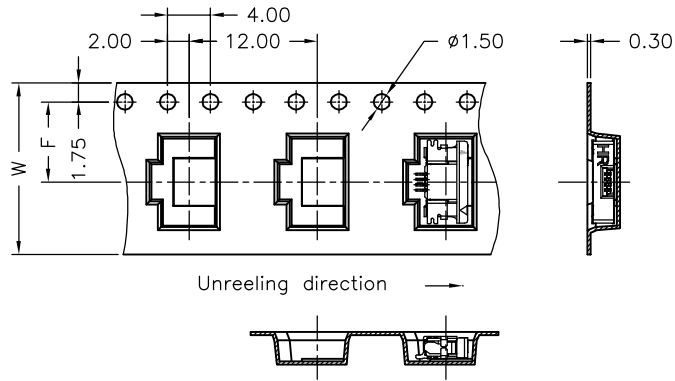
SPECIFICATIONS
 Current Rating: 0.5A AC,DC
 Voltage Rating: 50V AC,DC
 Temperature Range: -25°C ~ +85°C
 Contact Resistance: 30mΩ Max.
 Insulation Resistance: 100MΩ Min.
 Withstanding Voltage: 250V AC/minute
 Contacts: Phosphor Bronze/Gold-flash
 Solder Tabs: Brass/Gold-flash
 Housing: Nylon 6T,UL94V-0,Natural(Beige)
 Actuator: Nylon 6T,UL94V-0,Natural(Black)

Ordering Information & Dimensions

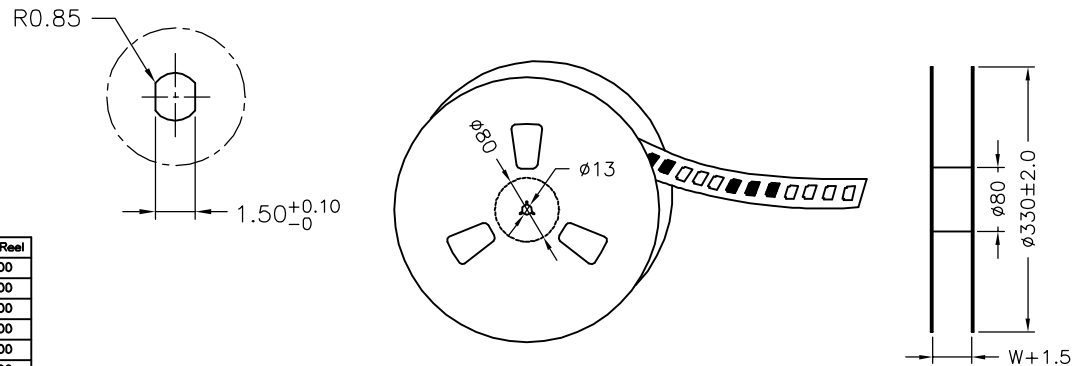
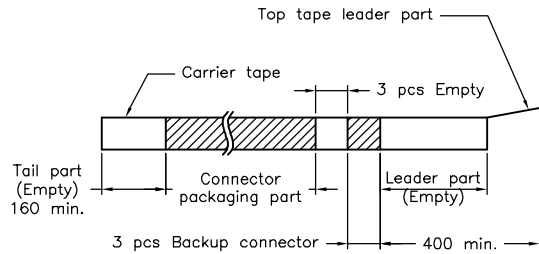
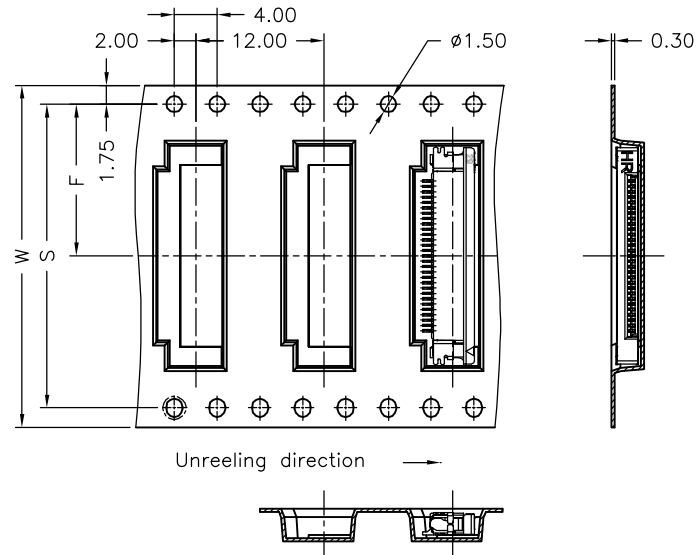
PART NO.	Dimensions			PART NO.	Dimensions		
	A	B	C		A	B	C
F0503WR-S-04PB	1.50	7.70	2.60	F0503WR-S-24PB	11.50	17.70	12.60
F0503WR-S-05PB	2.00	8.20	3.10	F0503WR-S-25PB	12.00	18.20	13.10
F0503WR-S-06PB	2.50	8.70	3.60	F0503WR-S-26PB	12.50	18.70	13.60
F0503WR-S-07PB	3.00	9.20	4.10	F0503WR-S-27PB	13.00	19.20	14.10
F0503WR-S-08PB	3.50	9.70	4.60	F0503WR-S-28PB	13.50	19.70	14.60
F0503WR-S-09PB	4.00	10.20	5.10	F0503WR-S-29PB	14.00	20.20	15.10
F0503WR-S-10PB	4.50	10.70	5.60	F0503WR-S-30PB	14.50	20.70	15.60
F0503WR-S-11PB	5.00	11.20	6.10	F0503WR-S-31PB	15.00	21.20	16.10
F0503WR-S-12PB	5.50	11.70	6.60	F0503WR-S-32PB	15.50	21.70	16.60
F0503WR-S-13PB	6.00	12.20	7.10	F0503WR-S-33PB	16.00	22.20	17.10
F0503WR-S-14PB	6.50	12.70	7.60	F0503WR-S-34PB	16.50	22.70	17.60
F0503WR-S-15PB	7.00	13.20	8.10	F0503WR-S-35PB	17.00	23.20	18.10
F0503WR-S-16PB	7.50	13.70	8.60	F0503WR-S-36PB	17.50	23.70	18.60
F0503WR-S-17PB	8.00	14.20	9.10	F0503WR-S-37PB	18.00	24.20	19.10
F0503WR-S-18PB	8.50	14.70	9.60	F0503WR-S-38PB	18.50	24.70	19.60
F0503WR-S-19PB	9.00	15.20	10.10	F0503WR-S-39PB	19.00	25.20	20.10
F0503WR-S-20PB	9.50	15.70	10.60	F0503WR-S-40PB	19.50	25.70	20.60
F0503WR-S-21PB	10.00	16.20	11.10	F0503WR-S-45PB	22.00	28.20	23.10
F0503WR-S-22PB	10.50	16.70	11.60	F0503WR-S-50PB	24.50	30.70	25.60
F0503WR-S-23PB	11.00	17.20	12.10				

				JOINT TECH ELECTRONIC IND. CO., LTD. JOY DAY INDUSTRIAL CO., LTD.	
		UNIT	SCALE	SHEET	TITLE: 0.50mm PITCH FFC/FPC CONNECTOR 90° SMT TYPE, ZIF, BOTTOM CONTACT STYLE
		mm		1 of 2	
		DRAWN BY 董正一 2002.10.22	APPROVED BY 董正一 2002.10.22		
B2	REVISE	2007.08.02	GENERAL TOLERANCE		DRAW NO. : F0503WR-S-XPB
B1	REVISE	2006.05.12	X.X±0.25	ANGLE±	
B0	NEW RELEASE	2005.11.19	X.XX±0.15		
REV.	DESCRIPTION	DATE	X.XXX±0.05		
					REV. B2

04~21 Contacts



22~50 Contacts



Number of Contacts	W±0.3	F±0.1	S±0.1	Q'ty/Reel	Number of Contacts	W±0.3	F±0.1	S±0.1	Q'ty/Reel	
04P	16	7.50		1,500	24P	32	14.20	28.40	1,500	
05P	16	7.50		25P	32	14.20	28.40	1,500		
06P	24	11.50		26P	32	14.20	28.40	1,500		
07P	24	11.50		27P	32	14.20	28.40	1,500		
08P	24	11.50		28P	32	14.20	28.40	1,500		
09P	24	11.50		29P	32	14.20	28.40	1,500		
10P	24	11.50		30P	32	14.20	28.40	1,500		
11P	24	11.50		31P	44	20.20	40.40	1,500		
12P	24	11.50		32P	44	20.20	40.40	1,500		
13P	24	11.50		33P	44	20.20	40.40	1,500		
14P	24	11.50		34P	44	20.20	40.40	1,500		
15P	24	11.50		35P	44	20.20	40.40	1,500		
16P	24	11.50		36P	44	20.20	40.40	1,500		
17P	24	11.50		37P	44	20.20	40.40	1,500		
18P	24	11.50		38P	44	20.20	40.40	1,500		
19P	24	11.50		39P	44	20.20	40.40	1,500		
20P	24	11.50		40P	44	20.20	40.40	1,500		
21P	24	11.50		45P	44	20.20	40.40	1,500		
22P	32	14.20		28.40	1,500	50P	44	20.20	40.40	1,500
23P	32	14.20		28.40	1,500					

				JOINT TECH ELECTRONIC IND. CO., LTD. JOY DAY INDUSTRIAL CO., LTD.	
UNIT	SCALE	SHEET	TITLE: 0.50mm PITCH FFC/FPC CONNECTOR, 90° SMT TYPE, ZIF, BOTTOM CONTACT STYLE, TAPING SPEC.		
mm		2 of 2			
DRAWN BY 歐陽小強		APPROVED BY 謝瑞清		GENERAL TOLERANCE	
2007.08.02		2007.08.02			
X.X±0.25		ANGLE±		DRAW NO.: F0503WR-S-XPB	
X.XX±0.15					
REV.	DESCRIPTION	DATE	X.XXX±0.05	REV. A0	