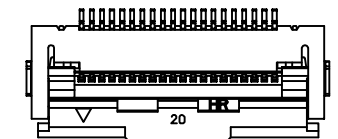
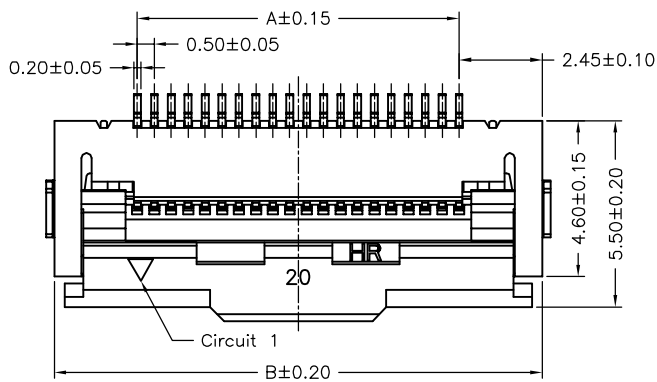
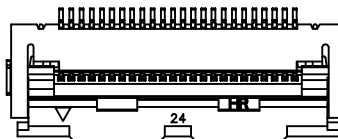


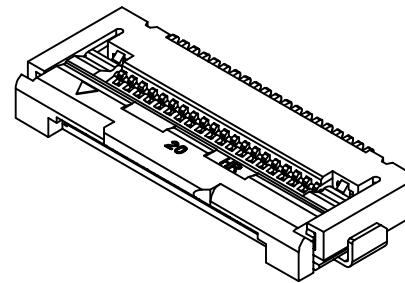
SUGGESTED PCB LAYOUT  
(COMPONENT SIDE)



04P~22P



23P~60P

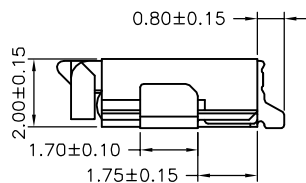
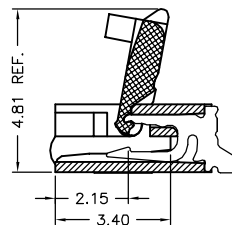


SPECIFICATIONS

Current Rating: 0.5A AC,DC  
 Voltage Rating: 50V AC,DC  
 Temperature Range: -25°C ~ +85°C  
 Contact Resistance: 30mΩ Max.  
 Insulation Resistance: 100MΩ Min.  
 Withstanding Voltage: 250V AC/minute  
 Contacts: Phosphor Bronze/Tin-plated  
 Solder Tabs: Phosphor Bronze/Tin-plated  
 Housing: Nylon 6T,UL94V-0,Natural(Beige)  
 Cover: Nylon 6T,UL94V-0,Natural(Black)

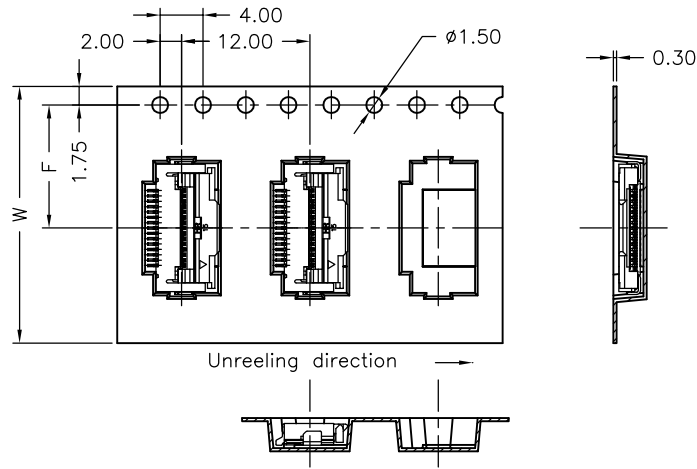
Ordering Information & Dimensions

PART NO.	Dimensions			PART NO.	Dimensions		
	A	B	C		A	B	C
F0502WRA-S-04P	1.50	6.40	2.60	F0502WRA-S-26P	12.50	17.40	13.60
F0502WRA-S-06P	2.50	7.40	3.60	F0502WRA-S-27P	13.00	17.90	14.10
F0502WRA-S-07P	3.00	7.90	4.10	F0502WRA-S-28P	13.50	18.40	14.60
F0502WRA-S-08P	3.50	8.40	4.60	F0502WRA-S-29P	14.00	18.90	15.10
F0502WRA-S-09P	4.00	8.90	5.10	F0502WRA-S-30P	14.50	19.40	15.60
F0502WRA-S-10P	4.50	9.40	5.60	F0502WRA-S-31P	15.00	19.90	16.10
F0502WRA-S-11P	5.00	9.90	6.10	F0502WRA-S-32P	15.50	20.40	16.60
F0502WRA-S-12P	5.50	10.40	6.60	F0502WRA-S-33P	16.00	20.90	17.10
F0502WRA-S-13P	6.00	10.90	7.10	F0502WRA-S-34P	16.50	21.40	17.60
F0502WRA-S-14P	6.50	11.40	7.60	F0502WRA-S-35P	17.00	21.90	18.10
F0502WRA-S-15P	7.00	11.90	8.10	F0502WRA-S-36P	17.50	22.40	18.60
F0502WRA-S-16P	7.50	12.40	8.60	F0502WRA-S-37P	18.00	22.90	19.10
F0502WRA-S-17P	8.00	12.90	9.10	F0502WRA-S-38P	18.50	23.40	19.60
F0502WRA-S-18P	8.50	13.40	9.60	F0502WRA-S-39P	19.00	23.90	20.10
F0502WRA-S-19P	9.00	13.90	10.10	F0502WRA-S-40P	19.50	24.40	20.60
F0502WRA-S-20P	9.50	14.40	10.60	F0502WRA-S-42P	20.50	25.40	21.60
F0502WRA-S-21P	10.00	14.90	11.10	F0502WRA-S-45P	22.00	26.90	23.10
F0502WRA-S-22P	10.50	15.40	11.60	F0502WRA-S-50P	24.50	29.40	25.60
F0502WRA-S-23P	11.00	15.90	12.10	F0502WRA-S-55P	27.00	31.90	28.10
F0502WRA-S-24P	11.50	16.40	12.60	F0502WRA-S-60P	29.50	34.40	30.60
F0502WRA-S-25P	12.00	16.90	13.10				

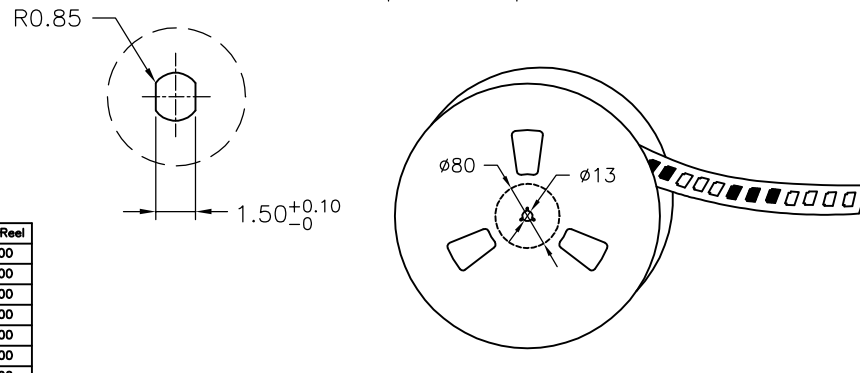
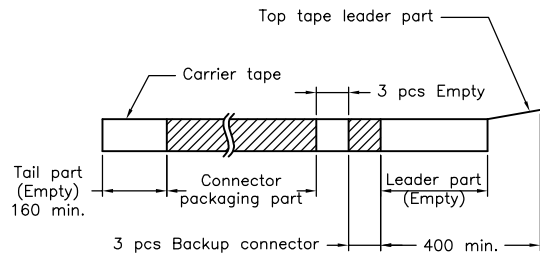
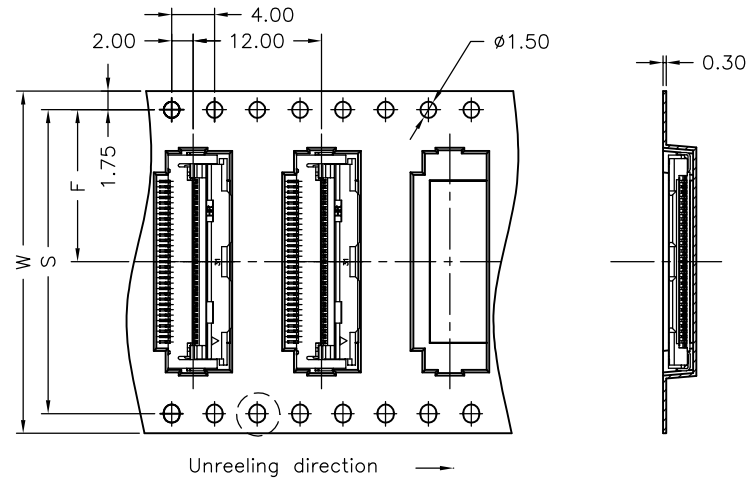


				JOINT TECH ELECTRONIC IND. CO., LTD.	
				JOY DAY INDUSTRIAL CO., LTD.	
		UNIT	SCALE	SHEET	TITLE:
		mm		1 of 2	0.50mm PITCH
		DRAWN BY		APPROVED BY	
		董正一		董正一	
		2004.10.15		2004.10.15	
		GENERAL TOLERANCE			
B2	REVISE	2006.12.06			90°SMT TYPE, ZIF, BOTTOM CONTACT STYLE, BIGGER FITTING NAIL TYPE
B1	REVISE	2006.12.04	X. X±0.25	ANGLE±	
B0	NEW RELEASE	2006.04.21	X. XX±0.15		
REV.	DESCRIPTION	DATE	X. XXX±0.05		
					DRAW NO.:
					F0502WRA-S-XP
					REV. B2

### 6~23 Contacts



### 24~50 Contacts



Number of Contacts	W±0.3	F±0.1	S±0.1	Q'ty/Reel	Number of Contacts	W±0.3	F±0.1	S±0.1	Q'ty/Reel
04P	16	7.50		1,000	26P	32	14.20	28.40	1,000
06P	16	7.50		1,000	27P	32	14.20	28.40	1,000
07P	16	7.50		1,000	28P	32	14.20	28.40	1,000
08P	16	7.50		1,000	29P	32	14.20	28.40	1,000
09P	24	11.50		1,000	30P	32	14.20	28.40	1,000
10P	24	11.50		1,000	31P	32	14.20	28.40	1,000
11P	24	11.50		1,000	32P	32	14.20	28.40	1,000
12P	24	11.50		1,000	33P	32	14.20	28.40	1,000
13P	24	11.50		1,000	34P	32	14.20	28.40	1,000
14P	24	11.50		1,000	35P	44	20.20	40.40	1,000
15P	24	11.50		1,000	36P	44	20.20	40.40	1,000
16P	24	11.50		1,000	37P	44	20.20	40.40	1,000
17P	24	11.50		1,000	38P	44	20.20	40.40	1,000
18P	24	11.50		1,000	39P	44	20.20	40.40	1,000
19P	24	11.50		1,000	40P	44	20.20	40.40	1,000
20P	24	11.50		1,000	42P	44	20.20	40.40	1,000
21P	24	11.50		1,000	45P	44	20.20	40.40	1,000
22P	24	11.50		1,000	50P	44	20.20	40.40	1,000
23P	24	11.50		1,000	55P	44	20.20	40.40	1,000
24P	32	14.20	28.40	1,000	60P	56	26.20	52.40	1,000
25P	32	14.20	28.40	1,000					

				UNIT	SCALE	SHEET	TITLE:
				mm		2 of 2	
DRAWN BY		APPROVED BY		GENERAL TOLERANCE			
董正一		董正一					
2004. 10. 19		2004. 10. 19		DRAW NO. : F0502WRA-S-XP			
REV. B1		REV. B0					
REV.	DESCRIPTION	DATE		REV. B1			