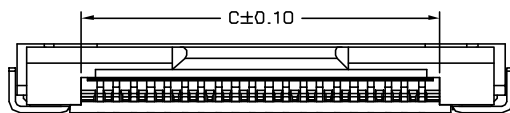
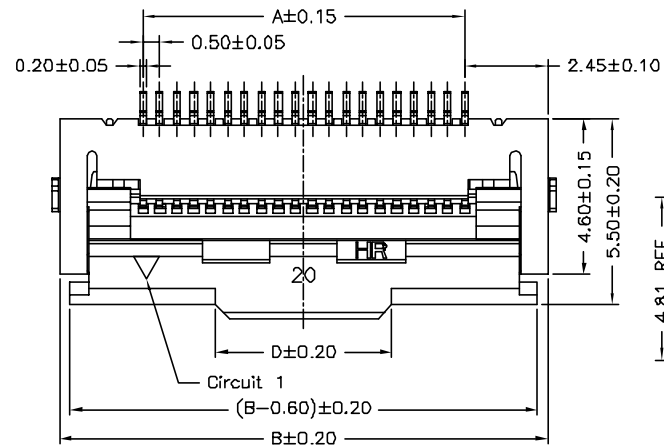
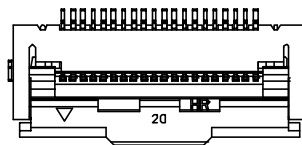


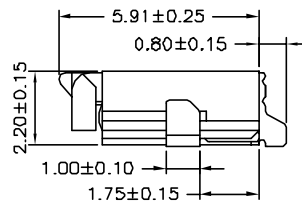
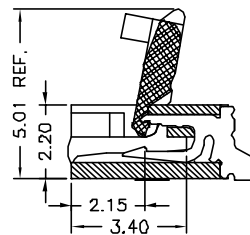
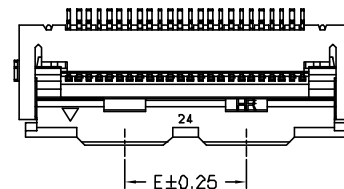
SUGGESTED PCB LAYOUT
(COMPONENT SIDE)



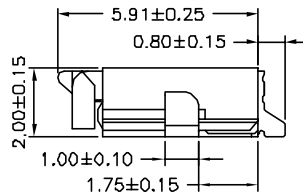
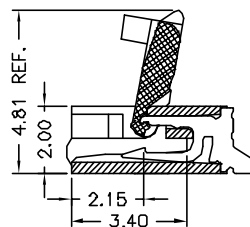
04P~22P



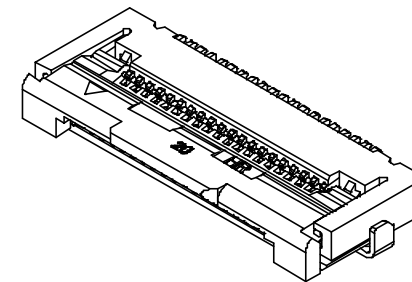
23P~60P



50P~60P



04P~45P



SPECIFICATIONS

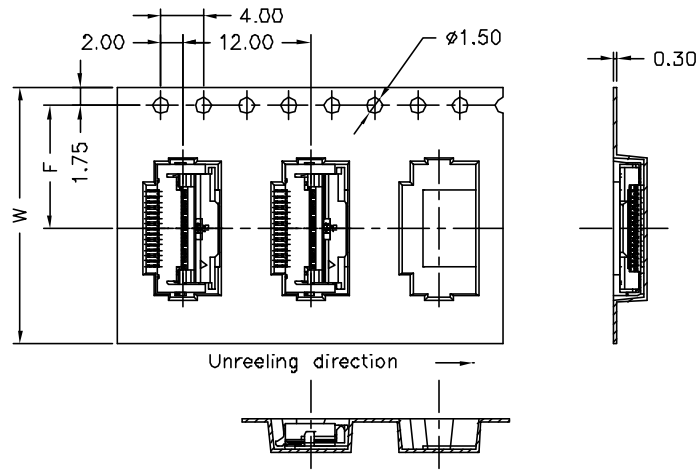
Current Rating: 0.5A AC,DC
Voltage Rating: 50V AC,DC
Temperature Range: -25°C ~ +85°C
Contact Resistance: 30mΩ Max.
Insulation Resistance: 100MΩ Min.
Withstanding Voltage: 250V AC/minute
Contacts: Phosphor Bronze/Tin-plated
Solder Tabs: Phosphor Bronze/Tin-plated
Housing: Nylon 6T,UL94V-0,Natural(Beige)
Cover: Nylon 6T,UL94V-0,Natural(Black)

Ordering Information & Dimensions

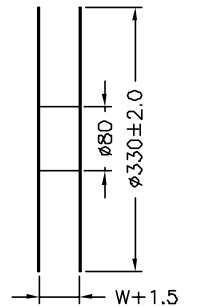
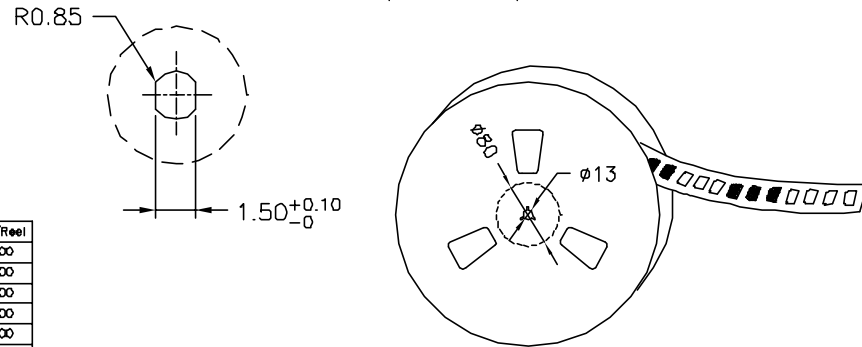
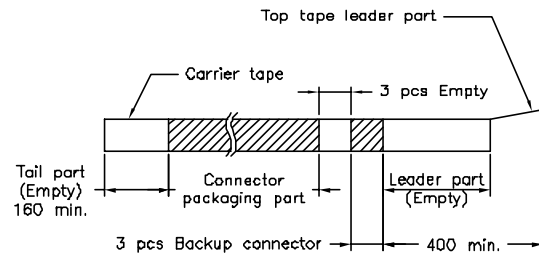
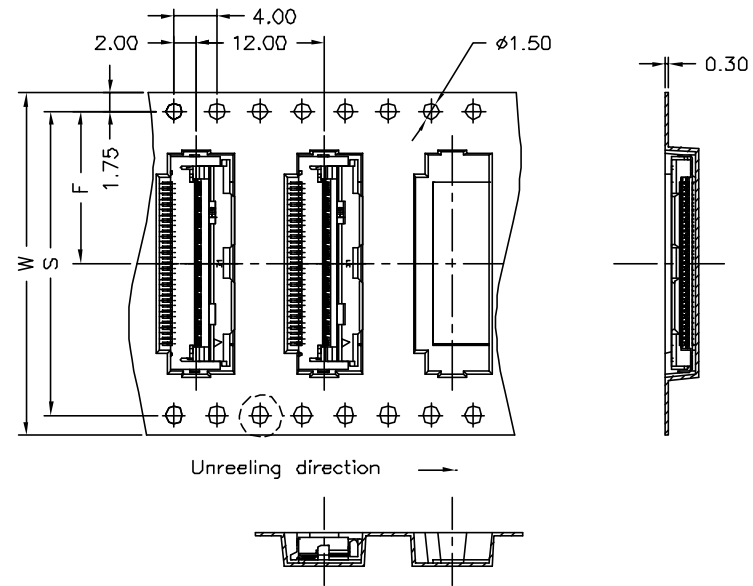
PART NO.	Dimensions					PART NO.	Dimensions				
	A	B	C	D	E		A	B	C	D	E
F0502WR-S-04P	1.50	6.40	2.60	2.20		F0502WR-S-26P	12.50	17.40	13.60	5.20	6.50
F0502WR-S-06P	2.50	7.40	3.60	2.70		F0502WR-S-27P	13.00	17.90	14.10	5.20	7.00
F0502WR-S-07P	3.00	7.90	4.10	2.70		F0502WR-S-28P	13.50	18.40	14.60	5.20	7.00
F0502WR-S-08P	3.50	8.40	4.60	2.70		F0502WR-S-29P	14.00	18.90	15.10	5.20	7.50
F0502WR-S-09P	4.00	8.90	5.10	2.70		F0502WR-S-30P	14.50	19.40	15.60	5.20	7.50
F0502WR-S-10P	4.50	9.40	5.60	4.70		F0502WR-S-31P	15.00	19.90	16.10	5.20	8.00
F0502WR-S-11P	5.00	9.90	6.10	4.70		F0502WR-S-32P	15.50	20.40	16.60	5.20	8.00
F0502WR-S-12P	5.50	10.40	6.60	4.70		F0502WR-S-33P	16.00	20.90	17.10	5.20	8.50
F0502WR-S-13P	6.00	10.90	7.10	4.70		F0502WR-S-34P	16.50	21.40	17.60	5.20	9.00
F0502WR-S-14P	6.50	11.40	7.60	4.70		F0502WR-S-35P	17.00	21.90	18.10	5.20	9.00
F0502WR-S-15P	7.00	11.90	8.10	5.20		F0502WR-S-36P	17.50	22.40	18.60	5.20	9.00
F0502WR-S-16P	7.50	12.40	8.60	5.20		F0502WR-S-37P	18.00	22.90	19.10	5.20	9.50
F0502WR-S-17P	8.00	12.90	9.10	5.20		F0502WR-S-38P	18.50	23.40	19.60	5.20	10.00
F0502WR-S-18P	8.50	13.40	9.60	5.20		F0502WR-S-39P	19.00	23.90	20.10	5.20	10.50
F0502WR-S-19P	9.00	13.90	10.10	5.20		F0502WR-S-40P	19.50	24.40	20.60	5.20	13.50
F0502WR-S-20P	9.50	14.40	10.60	5.20		F0502WR-S-42P	20.50	25.40	21.60	5.20	14.50
F0502WR-S-21P	10.00	14.90	11.10	5.20		F0502WR-S-45P	22.00	26.90	23.10	5.20	14.30
F0502WR-S-22P	10.50	15.40	11.60	5.20		F0502WR-S-50P	24.50	29.40	25.60	5.20	6.50
F0502WR-S-23P	11.00	15.90	12.10	4.70	6.00	F0502WR-S-54P	26.50	31.40	27.60	5.20	8.00
F0502WR-S-24P	11.50	16.40	12.60	4.70	6.00	F0502WR-S-55P	27.00	31.90	28.10	5.20	8.00
F0502WR-S-25P	12.00	16.90	13.10	4.70	6.00	F0502WR-S-60P	29.50	34.40	30.60	5.20	8.00

						JOINT TECH ELECTRONIC IND. CO., LTD. JOY DAY INDUSTRIAL CO., LTD.		
				UNIT	SCALE	SHEET		
				mm		1 of 2		
B5	REVISE	2008.05.26	DRAWN BY	APPROVED BY		TITLE: 0.50mm PITCH FFC/FC CONNECTOR 90° SMT TYPE,ZIF, BOTTOM CONTACT STYLE		
B4	REVISE	2008.01.22	蕭惠鳳	蕭正一				
B3	REVISE	2007.02.09	2003.04.07	2003.04.07				
B2	REVISE	2006.12.06	GENERAL TOLERANCE					
B1	REVISE	2006.12.04	X.X ±0.25	ANGLE ±				
B0	NEW RELEASE	2006.04.21	X.XX ±0.15			DRAW NO.:		
REV.	DESCRIPTION	DATE	X.XXX ±0.05			F0502WR-S-XP		REV. B5

04~23 Contacts



24~60 Contacts



Number of Contacts	W±0.3	F±0.1	S±0.1	D'ty/Reel	Number of Contacts	W±0.3	F±0.1	S±0.1	Q'ty/Reel
D4P	18	7.50	28.40	1,000	26P	32	14.20	28.40	1,000
D6P	16	7.50		1,000	27P	32	14.20	28.40	1,000
D7P	16	7.50		1,000	28P	32	14.20	28.40	1,000
D8P	18	7.50		1,000	29P	32	14.20	28.40	1,000
D9P	24	11.50		1,000	30P	32	14.20	28.40	1,000
10P	24	11.50		1,000	31P	32	14.20	28.40	1,000
11P	24	11.50		1,000	32P	32	14.20	28.40	1,000
12P	24	11.50		1,000	33P	32	14.20	28.40	1,000
13P	24	11.50		1,000	34P	32	14.20	28.40	1,000
14P	24	11.50		1,000	35P	44	20.20	40.40	1,000
15P	24	11.50		1,000	36P	44	20.20	40.40	1,000
16P	24	11.50		1,000	37P	44	20.20	40.40	1,000
17P	24	11.50		1,000	38P	44	20.20	40.40	1,000
18P	24	11.50		1,000	39P	44	20.20	40.40	1,000
19P	24	11.50		1,000	40P	44	20.20	40.40	1,000
20P	24	11.50		1,000	42P	44	20.20	40.40	1,000
21P	24	11.50		1,000	45P	44	20.20	40.40	1,000
22P	24	11.50		1,000	50P	44	20.20	40.40	1,000
23P	24	11.50		1,000	54P	44	20.20	40.40	1,000
24P	32	14.20		1,000	55P	44	20.20	40.40	1,000
25P	32	14.20		1,000	60P	56	26.20	52.40	1,000

			UNIT	SCALE	SHEET
			mm		2 of 2
			DRAWN BY	APPROVED BY	
			蕭惠風	謝瑞清	
			2008.05.26	2004.01.14	
B3	REVISE	2008.05.26	GENERAL TOLERANCE		
B2	REVISE	2008.01.22			
B1	REVISE	2006.12.04	X.X ± 0.15	ANGLE ±	
B0	NEW RELEASE	2006.04.21	X.XX ± 0.15		
REV.	DESCRIPTION	DATE	X.XXX ± 0.05		
DRAW NO.:					REV.
F0502WR-S-XP					B3

TITLE: 0.50mm PITCH
FFC/FPC CONNECTOR,
90° SMT TYPE, ZIF,
BOTTOM CONTACT STYLE,
TAPING SPEC.