

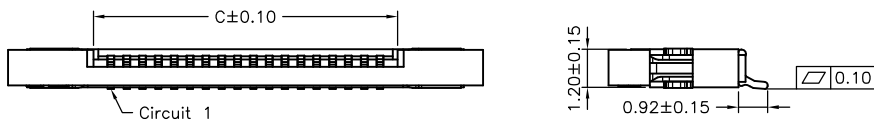
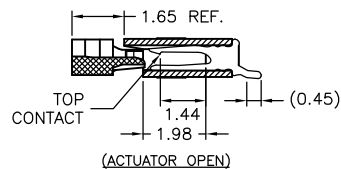
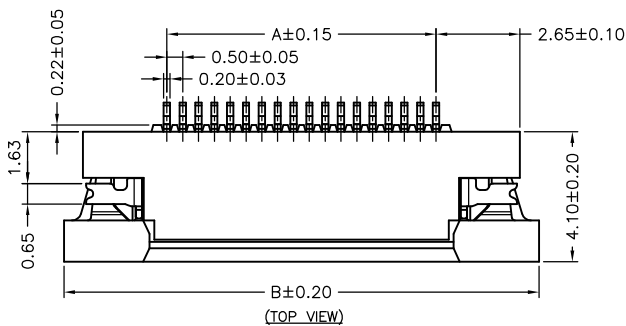
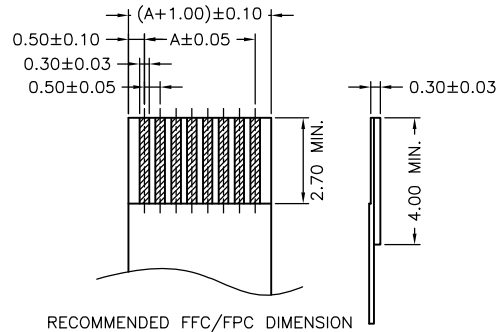
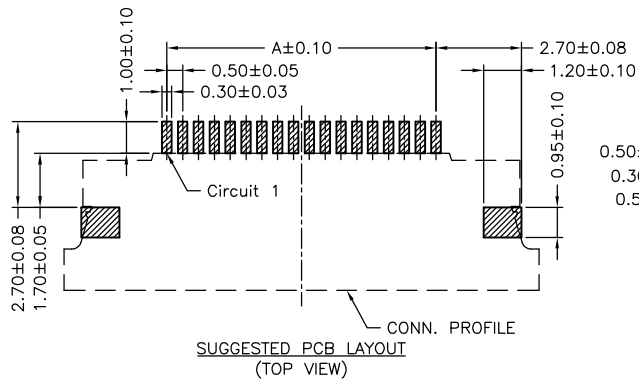
Ordering code

F0501 WR-S-XP XXX
 ① ② ③ ④ ⑤

- ① Series No.
- ② Connector type: WR=Right angle
- ③ Mounting type: S=SMT without boss
- ④ No. of circuits
- ⑤ Option code:
 T=Top contact style
 Contacts/Matte Tin-plated
 Solder tabs/Matte Tin-plated
 DT1=Top contact style
 Contacts/Gold-plated
 Solder tabs/Gold-flash

SPECIFICATIONS

Current Rating: 0.5A AC,DC
 Voltage Rating: 50V AC,DC
 Temperature Range: -25°C ~ +85°C
 Contact Resistance: 30mΩ Max.
 Insulation Resistance: 100MΩ Min.
 Withstanding Voltage: 250V AC/minute
 Contacts: Phosphor Bronze/Matte Tin-plated or Gold-plated
 Solder Tabs: Phosphor Bronze/Matte Tin-plated or Gold-flash
 Housing: LCP,UL94V-0,Natural(Beige)
 Actuator: Nylon 6T,UL94V-0,Natural(Black)



Circuit No.	Dimensions			Circuit No.	Dimensions			Circuit No.	Dimensions		
	A	B	C		A	B	C		A	B	C
04P	1.50	8.00	2.60	20P	9.50	16.00	10.60	36P	17.50	24.00	18.60
05P	2.00	8.50	3.10	21P	10.00	16.50	11.10	37P	18.00	24.50	19.10
06P	2.50	9.00	3.60	22P	10.50	17.00	11.60	38P	18.50	25.00	19.60
07P	3.00	9.50	4.10	23P	11.00	17.50	12.10	39P	19.00	25.50	20.10
08P	3.50	10.00	4.60	24P	11.50	18.00	12.60	40P	19.50	26.00	20.60
09P	4.00	10.50	5.10	25P	12.00	18.50	13.10	41P	20.00	26.50	21.10
10P	4.50	11.00	5.60	26P	12.50	19.00	13.60	42P	20.50	27.00	21.60
11P	5.00	11.50	6.10	27P	13.00	19.50	14.10	43P	21.00	27.50	22.10
12P	5.50	12.00	6.60	28P	13.50	20.00	14.60	44P	21.50	28.00	22.60
13P	6.00	12.50	7.10	29P	14.00	20.50	15.10	45P	22.00	28.50	23.10
14P	6.50	13.00	7.60	30P	14.50	21.00	15.60	46P	22.50	29.00	23.60
15P	7.00	13.50	8.10	31P	15.00	21.50	16.10	47P	23.00	29.50	24.10
16P	7.50	14.00	8.60	32P	15.50	22.00	16.60	48P	23.50	30.00	24.60
17P	8.00	14.50	9.10	33P	16.00	22.50	17.10	49P	24.00	30.50	25.10
18P	8.50	15.00	9.60	34P	16.50	23.00	17.60	50P	24.50	31.00	25.60
19P	9.00	15.50	10.10	35P	17.00	23.50	18.10				

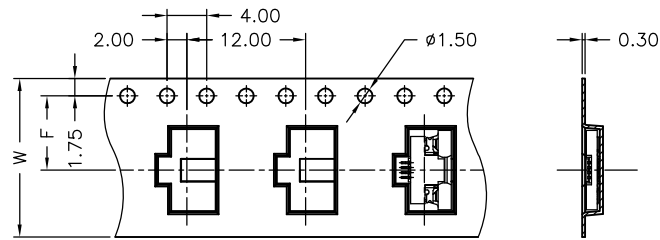


燦達電子工業股份有限公司
 JOINT TECH ELECTRONIC IND. CO., LTD.

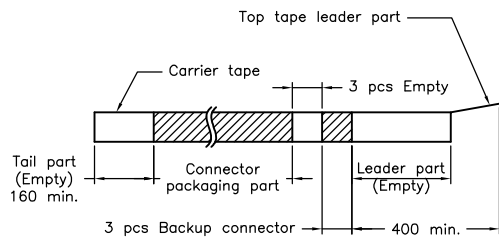
UNIT	SCALE	SHEET	TITLE:
mm		1 of 2	0.50mm PITCH FFC/FPC CONNECTOR, 90° SMT TYPE, ZIF, TOP CONTACT STYLE
DRAWN BY	APPROVED BY		
李勤	董正一		
2006.06.08	2006.06.08		
A2	REVISE	GENERAL TOLERANCE	
2007.07.17			
A1	REVISE	X. X±0.25	ANGLE±
2006.11.08		X. XX±0.15	
A0	NEW RELEASE	X. XXX±0.05	
2006.06.08			
REV.	DESCRIPTION	DATE	

DRAW NO.: F0501WR-S-XPT
 REV. A4

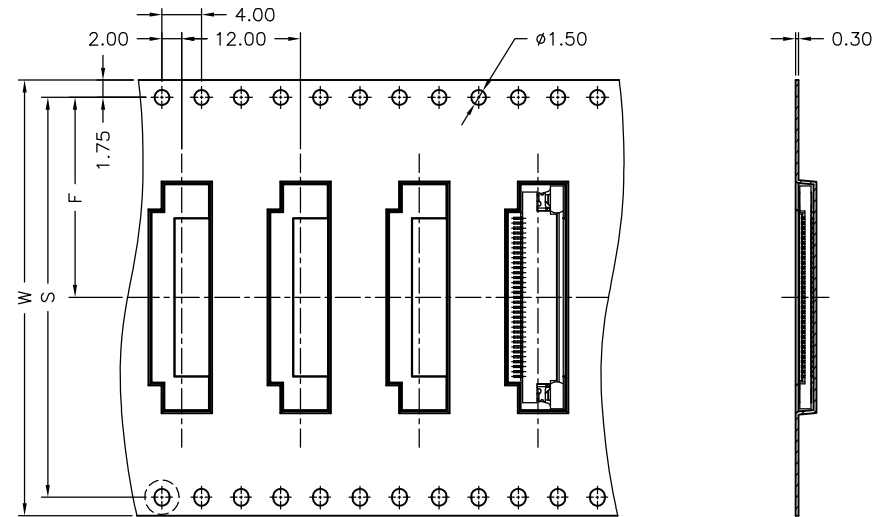
04~22 Contacts



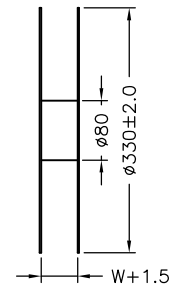
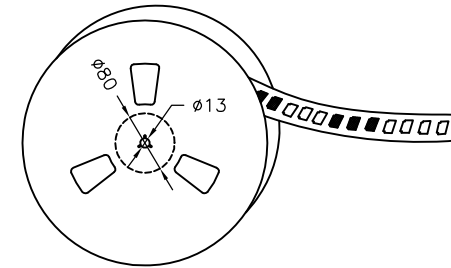
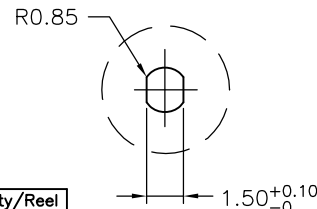
Unreeling direction →



23~50 Contacts



Unreeling direction →



NOTE:

Material: Transparent Anti-static Polystyrene.

Number of Contacts	W±0.3	F±0.1	S±0.1	Q'ty/Reel	Number of Contacts	W±0.3	F±0.1	S±0.1	Q'ty/Reel
04P	16	7.50		2,500	28P	32	14.20	28.40	2,500
05P	16	7.50		2,500	29P	32	14.20	28.40	2,500
06P	16	7.50		2,500	30P	32	14.20	28.40	2,500
07P	16	7.50		2,500	31P	44	20.20	40.40	2,500
08P	24	11.50		2,500	32P	44	20.20	40.40	2,500
09P	24	11.50		2,500	33P	44	20.20	40.40	2,500
10P	24	11.50		2,500	34P	44	20.20	40.40	2,500
11P	24	11.50		2,500	35P	44	20.20	40.40	2,500
12P	24	11.50		2,500	36P	44	20.20	40.40	2,500
13P	24	11.50		2,500	37P	44	20.20	40.40	2,500
14P	24	11.50		2,500	38P	44	20.20	40.40	2,500
15P	24	11.50		2,500	39P	44	20.20	40.40	2,500
16P	24	11.50		2,500	40P	44	20.20	40.40	2,500
17P	24	11.50		2,500	41P	44	20.20	40.40	2,500
18P	24	11.50		2,500	42P	44	20.20	40.40	2,500
19P	24	11.50		2,500	43P	44	20.20	40.40	2,500
20P	24	11.50		2,500	44P	44	20.20	40.40	2,500
21P	24	11.50		2,500	45P	44	20.20	40.40	2,500
22P	24	11.50		2,500	46P	44	20.20	40.40	2,500
23P	32	14.20	28.40	2,500	47P	44	20.20	40.40	2,500
24P	32	14.20	28.40	2,500	48P	44	20.20	40.40	2,500
25P	32	14.20	28.40	2,500	49P	44	20.20	40.40	2,500
26P	32	14.20	28.40	2,500	50P	44	20.20	40.40	2,500
27P	32	14.20	28.40	2,500					



燦達電子工業股份有限公司
JOINT TECH ELECTRONIC IND. CO., LTD.

UNIT: mm SCALE: SHEET: 2 of 2

DRAWN BY: 歐陽小強 APPROVED BY: 董正一
2006.11.08 2006.11.08

GENERAL TOLERANCE
A2 EN1003080111 2010.03.08
A1 REVISE 2007.07.17 X.X±0.25 ANGLE±
A0 NEW RELEASE 2006.11.08 X.XX±0.15
REV. DESCRIPTION DATE X.XXX±0.05

TITLE:
0.50mm PITCH FFC/FPC
CONNECTOR, 90° SMT TYPE,
ZIF, TOP CONTACT STYLE,
TAPING SPEC.

DRAW NO.: F0501WR-S-XPT REV. A2