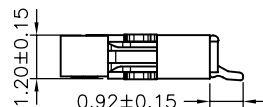
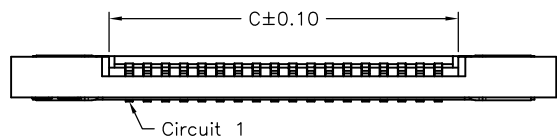
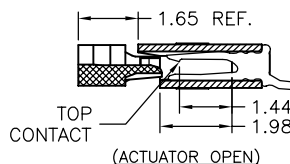
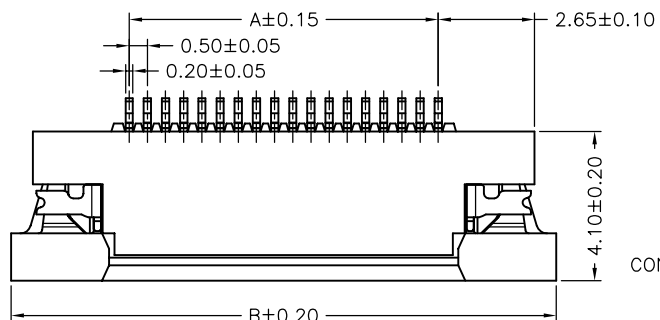


**SPECIFICATIONS**  
 Current Rating: 0.5A AC,DC  
 Voltage Rating: 50V AC,DC  
 Temperature Range: -25°C ~ +85°C  
 Contact Resistance: 30mΩ Max.  
 Insulation Resistance: 100MΩ Min.  
 Withstanding Voltage: 250V AC/minute  
 Contacts: Phosphor Bronze/Gold-plated  
 Solder Tabs: Phosphor Bronze/Gold-flash  
 Housing: LCP,UL94V-0,Natural(Beige)  
 Actuator: Nylon 6T,UL94V-0,Natural(Black)

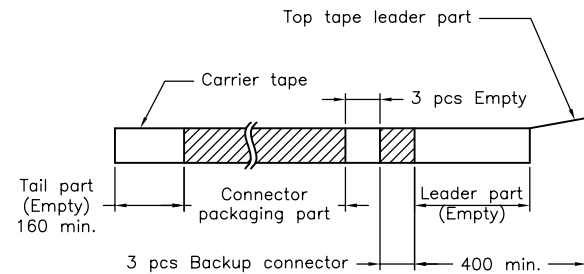
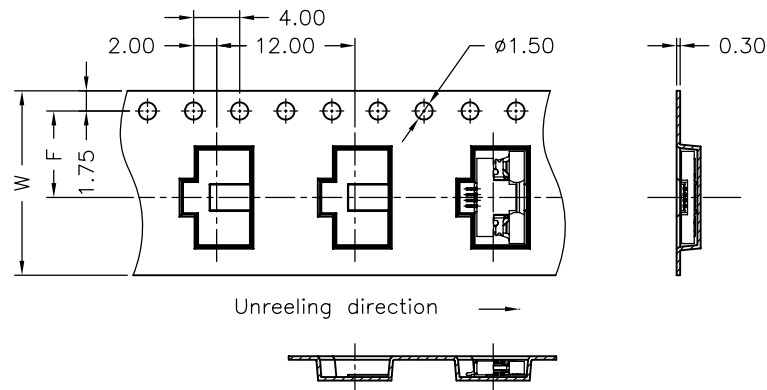
**Ordering Information & Dimensions**

PART NO.	Dimensions			PART NO.	Dimensions		
	A	B	C		A	B	C
F0501WR-S-04PDT1	1.50	8.00	2.60	F0501WR-S-28PDT1	13.50	20.00	14.60
F0501WR-S-05PDT1	2.00	8.50	3.10	F0501WR-S-29PDT1	14.00	20.50	15.10
F0501WR-S-06PDT1	2.50	9.00	3.60	F0501WR-S-30PDT1	14.50	21.00	15.60
F0501WR-S-07PDT1	3.00	9.50	4.10	F0501WR-S-31PDT1	15.00	21.50	16.10
F0501WR-S-08PDT1	3.50	10.00	4.60	F0501WR-S-32PDT1	15.50	22.00	16.60
F0501WR-S-09PDT1	4.00	10.50	5.10	F0501WR-S-33PDT1	16.00	22.50	17.10
F0501WR-S-10PDT1	4.50	11.00	5.60	F0501WR-S-34PDT1	16.50	23.00	17.60
F0501WR-S-11PDT1	5.00	11.50	6.10	F0501WR-S-35PDT1	17.00	23.50	18.10
F0501WR-S-12PDT1	5.50	12.00	6.60	F0501WR-S-36PDT1	17.50	24.00	18.60
F0501WR-S-13PDT1	6.00	12.50	7.10	F0501WR-S-37PDT1	18.00	24.50	19.10
F0501WR-S-14PDT1	6.50	13.00	7.60	F0501WR-S-38PDT1	18.50	25.00	19.60
F0501WR-S-15PDT1	7.00	13.50	8.10	F0501WR-S-39PDT1	19.00	25.50	20.10
F0501WR-S-16PDT1	7.50	14.00	8.60	F0501WR-S-40PDT1	19.50	26.00	20.60
F0501WR-S-17PDT1	8.00	14.50	9.10	F0501WR-S-41PDT1	20.00	26.50	21.10
F0501WR-S-18PDT1	8.50	15.00	9.60	F0501WR-S-42PDT1	20.50	27.00	21.60
F0501WR-S-19PDT1	9.00	15.50	10.10	F0501WR-S-43PDT1	21.00	27.50	22.10
F0501WR-S-20PDT1	9.50	16.00	10.60	F0501WR-S-44PDT1	21.50	28.00	22.60
F0501WR-S-21PDT1	10.00	16.50	11.10	F0501WR-S-45PDT1	22.00	28.50	23.10
F0501WR-S-22PDT1	10.50	17.00	11.60	F0501WR-S-46PDT1	22.50	29.00	23.60
F0501WR-S-23PDT1	11.00	17.50	12.10	F0501WR-S-47PDT1	23.00	29.50	24.10
F0501WR-S-24PDT1	11.50	18.00	12.60	F0501WR-S-48PDT1	23.50	30.00	24.60
F0501WR-S-25PDT1	12.00	18.50	13.10	F0501WR-S-49PDT1	24.00	30.50	25.10
F0501WR-S-26PDT1	12.50	19.00	13.60	F0501WR-S-50PDT1	24.50	31.00	25.60
F0501WR-S-27PDT1	13.00	19.50	14.10				

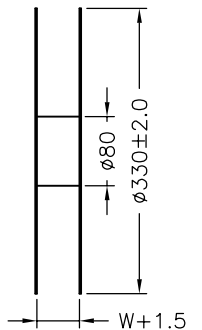
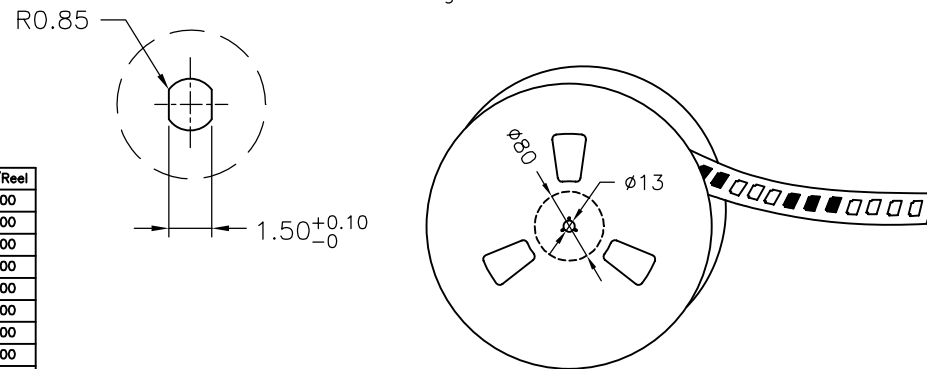
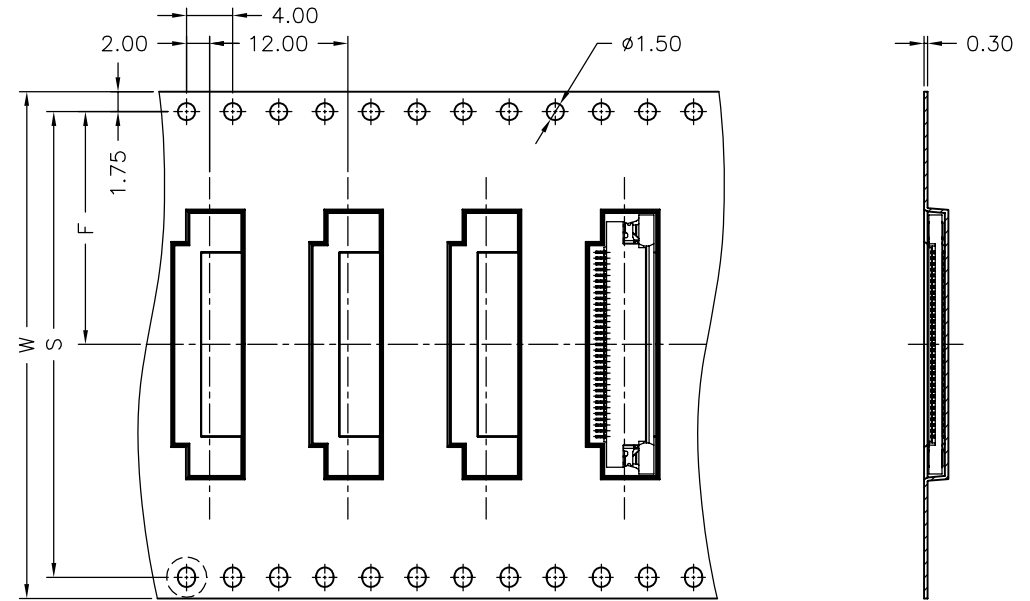


				UNIT	SCALE	SHEET	TITLE:
				mm		1 of 2	
DRAWN BY 李勤 2006.06.08				APPROVED BY 董正一 2006.06.08		0.50mm PITCH FFC/FPC CONNECTOR 90°SMT TYPE, ZIF, TOP CONTACT STYLE	
A2	REVISE	2007.07.17	X.X±0.25		ANGLE±	DRAW NO. : F0501WR-S-XPDT1	
A1	REVISE	2006.11.08	X.XX±0.15				
A0	NEW RELEASE	2006.06.08	X.XXX±0.05		REV. A2		
REV.	DESCRIPTION	DATE					

# 04~22 Contacts



# 23~50 Contacts



Number of Contacts	W±0.3	F±0.1	S±0.1	Q'ty/Reel	Number of Contacts	W±0.3	F±0.1	S±0.1	Q'ty/Reel
04P	16	7.50		2,500	28P	32	14.20	28.40	2,500
05P	16	7.50		2,500	29P	32	14.20	28.40	2,500
06P	16	7.50		2,500	30P	32	14.20	28.40	2,500
07P	16	7.50		2,500	31P	44	20.20	40.40	2,500
08P	24	11.50		2,500	32P	44	20.20	40.40	2,500
09P	24	11.50		2,500	33P	44	20.20	40.40	2,500
10P	24	11.50		2,500	34P	44	20.20	40.40	2,500
11P	24	11.50		2,500	35P	44	20.20	40.40	2,500
12P	24	11.50		2,500	36P	44	20.20	40.40	2,500
13P	24	11.50		2,500	37P	44	20.20	40.40	2,500
14P	24	11.50		2,500	38P	44	20.20	40.40	2,500
15P	24	11.50		2,500	39P	44	20.20	40.40	2,500
16P	24	11.50		2,500	40P	44	20.20	40.40	2,500
17P	24	11.50		2,500	41P	44	20.20	40.40	2,500
18P	24	11.50		2,500	42P	44	20.20	40.40	2,500
19P	24	11.50		2,500	43P	44	20.20	40.40	2,500
20P	24	11.50		2,500	44P	44	20.20	40.40	2,500
21P	24	11.50		2,500	45P	44	20.20	40.40	2,500
22P	24	11.50		2,500	46P	44	20.20	40.40	2,500
23P	32	14.20	28.40	2,500	47P	44	20.20	40.40	2,500
24P	32	14.20	28.40	2,500	48P	44	20.20	40.40	2,500
25P	32	14.20	28.40	2,500	49P	44	20.20	40.40	2,500
26P	32	14.20	28.40	2,500	50P	44	20.20	40.40	2,500
27P	32	14.20	28.40	2,500					

				JOINT TECH ELECTRONIC IND. CO., LTD. JOY DAY INDUSTRIAL CO., LTD.	
UNIT	SCALE	SHEET	TITLE: 0.50mm PITCH FFC/FPC CONNECTOR, 90° SMT TYPE, ZIF, TOP CONTACT STYLE, TAPING SPEC.		
mm		2 of 2			
DRAWN BY 歐陽小強 2006.11.08		APPROVED BY 董正一 2006.11.08		DRAW NO.: F0501WR-S-XPDT1	
GENERAL TOLERANCE					
A1	REVISE	2007.07.17	X.X±0.25	ANGLE± 	
A0	NEW RELEASE	2006.11.08	X.XX±0.15		
REV.	DESCRIPTION	DATE	X.XXX±0.05		