

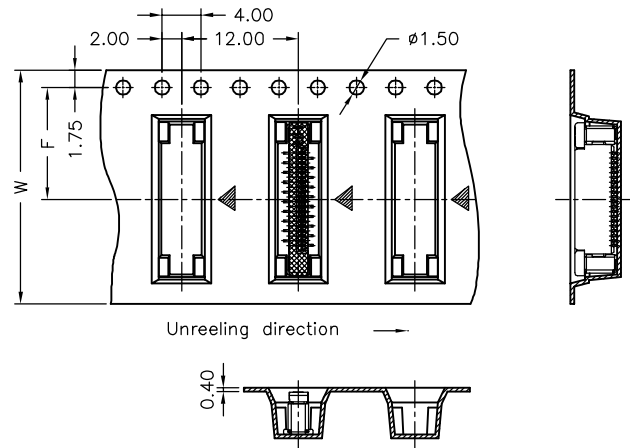
SPECIFICATIONS
 Current Rating: 0.5A AC,DC
 Voltage Rating: 50V AC,DC
 Temperature Range: -25°C ~ +85°C
 Contact Resistance: 30mΩ Max.
 Insulation Resistance: 100MΩ Min.
 Withstanding Voltage: 250V AC/minute
 Contacts: Phosphor Bronze/Gold-flash 1u"
 Solder Tabs: Brass/Gold-flash 1u"
 Housing: Nylon 6T,UL94V-0,Natural(Beige)
 Actuator: Nylon 6T,UL94V-0,Natural(Black)

Ordering Information & Dimensions

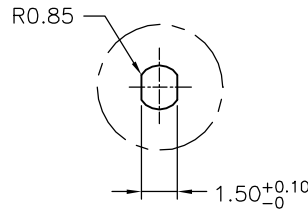
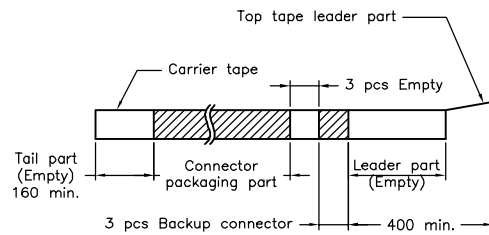
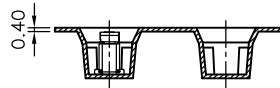
PART NO.	Dimensions			PART NO.	Dimensions		
	A	B	C		A	B	C
F0500WV-S-04P	1.50	7.70	2.60	F0500WV-S-24P	11.50	17.70	12.60
F0500WV-S-05P	2.00	8.20	3.10	F0500WV-S-25P	12.00	18.20	13.10
F0500WV-S-06P	2.50	8.70	3.60	F0500WV-S-26P	12.50	18.70	13.60
F0500WV-S-07P	3.00	9.20	4.10	F0500WV-S-27P	13.00	19.20	14.10
F0500WV-S-08P	3.50	9.70	4.60	F0500WV-S-28P	13.50	19.70	14.60
F0500WV-S-09P	4.00	10.20	5.10	F0500WV-S-29P	14.00	20.20	15.10
F0500WV-S-10P	4.50	10.70	5.60	F0500WV-S-30P	14.50	20.70	15.60
F0500WV-S-11P	5.00	11.20	6.10	F0500WV-S-31P	15.00	21.20	16.10
F0500WV-S-12P	5.50	11.70	6.60	F0500WV-S-32P	15.50	21.70	16.60
F0500WV-S-13P	6.00	12.20	7.10	F0500WV-S-33P	16.00	22.20	17.10
F0500WV-S-14P	6.50	12.70	7.60	F0500WV-S-34P	16.50	22.70	17.60
F0500WV-S-15P	7.00	13.20	8.10	F0500WV-S-35P	17.00	23.20	18.10
F0500WV-S-16P	7.50	13.70	8.60	F0500WV-S-36P	17.50	23.70	18.60
F0500WV-S-17P	8.00	14.20	9.10	F0500WV-S-37P	18.00	24.20	19.10
F0500WV-S-18P	8.50	14.70	9.60	F0500WV-S-38P	18.50	24.70	19.60
F0500WV-S-19P	9.00	15.20	10.10	F0500WV-S-39P	19.00	25.20	20.10
F0500WV-S-20P	9.50	15.70	10.60	F0500WV-S-40P	19.50	25.70	20.60
F0500WV-S-21P	10.00	16.20	11.10	F0500WV-S-45P	22.00	28.20	23.10
F0500WV-S-22P	10.50	16.70	11.60	F0500WV-S-50P	24.50	30.70	25.60
F0500WV-S-23P	11.00	17.20	12.10				

				JOINT TECH ELECTRONIC IND. CO., LTD. JOY DAY INDUSTRIAL CO., LTD.	
		UNIT	SCALE	SHEET	TITLE:
		mm		1 of 2	0.50mm PITCH FFC/FPC CONNECTOR 180°SMT TYPE, ZIF
		DRAWN BY	APPROVED BY		
		董正一 2002.07.18	董正一 2002.07.18		
		GENERAL TOLERANCE			
B1	REVISE	2007.08.02	X.X±0.25	ANGLE±	DRAW NO. : F0500WV-S-XP
B0	NEW RELEASE	2005.11.19	X.XX±0.15		
REV.	DESCRIPTION	DATE	X.XXX±0.05		

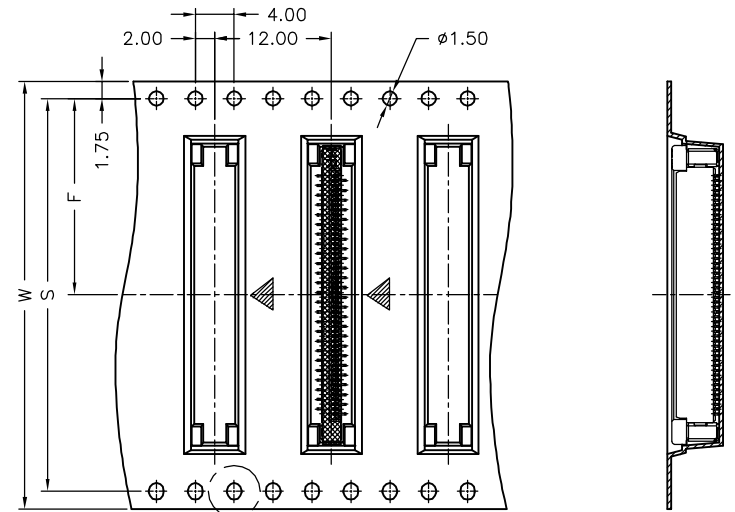
04~21 Contacts



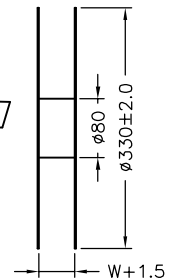
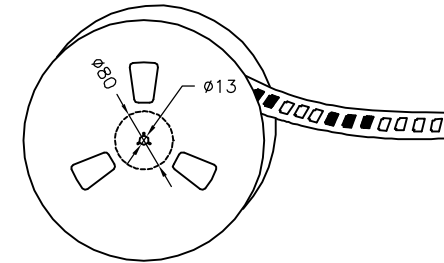
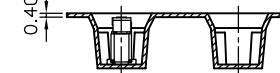
Unreeing direction →



22~50 Contacts



Unreeing direction →



Number of Contacts	W±0.3	F±0.1	S±0.1	Q'ty/Reel	Number of Contacts	W±0.3	F±0.1	S±0.1	Q'ty/Reel
04P	16	7.50	28.40	1,000	24P	32	14.20	28.40	1,000
05P	24	11.50		25P	32	14.20	28.40	1,000	
06P	24	11.50		26P	32	14.20	28.40	1,000	
07P	24	11.50		27P	32	14.20	28.40	1,000	
08P	24	11.50		28P	32	14.20	28.40	1,000	
09P	24	11.50		29P	32	14.20	28.40	1,000	
10P	24	11.50		30P	32	14.20	28.40	1,000	
11P	24	11.50		31P	32	14.20	28.40	1,000	
12P	24	11.50		32P	32	14.20	28.40	1,000	
13P	24	11.50		33P	44	20.20	40.40	1,000	
14P	24	11.50		34P	44	20.20	40.40	1,000	
15P	24	11.50		35P	44	20.20	40.40	1,000	
16P	24	11.50		36P	44	20.20	40.40	1,000	
17P	24	11.50		37P	44	20.20	40.40	1,000	
18P	24	11.50		38P	44	20.20	40.40	1,000	
19P	24	11.50		39P	44	20.20	40.40	1,000	
20P	24	11.50		40P	44	20.20	40.40	1,000	
21P	24	11.50		45P	44	20.20	40.40	1,000	
22P	32	14.20		50P	44	20.20	40.40	1,000	
23P	32	14.20							

				UNIT	SCALE	SHEET	TITLE:		
				mm		2 of 2		0.50mm PITCH FFC/FPC CONNECTOR 180°SMT TYPE, ZIF, TAPING SPEC.	
DRAWN BY		APPROVED BY		GENERAL TOLERANCE		DRAW NO. :	REV.		
董正一		董正一		ANGLE±				F0500WV-S-XP	B1
2002.07.18		2002.07.18							
B1	REVISE	2007.08.02	X.X±0.25						
B0	NEW RELEASE	2005.11.19	X.XX±0.15						
REV.	DESCRIPTION	DATE	X.XXX±0.05						