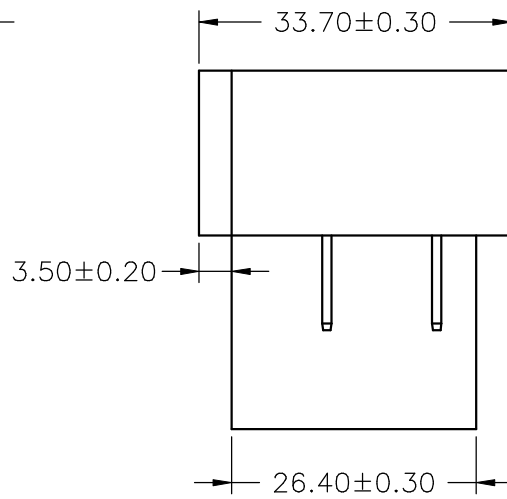
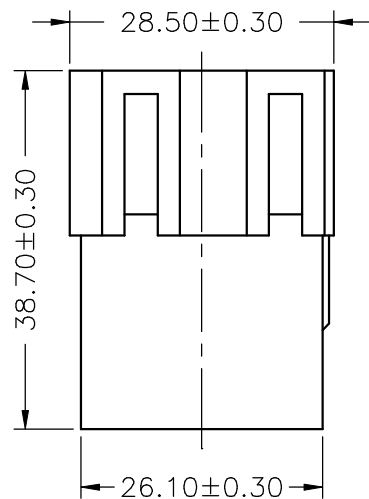

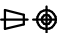


(BOTTOM VIEW)



SPECIFICATIONS

Current Rating: 7A AC,DC
 Voltage Rating: 250V AC,DC
 Temperature Range: -25°C ~ +85°C
 Contact Resistance: 10mΩ Max
 Insulation Resistance: 1000MΩ Min
 Withstanding Voltage: 1500V AC/minute
 Material: Nylon 66,UL94V-0
 Color: Natural(Black)

				JOINT TECH ELECTRONIC IND. CO., LTD. JOY DAY INDUSTRIAL CO., LTD.	
		UNIT	SCALE	SHEET	TITLE:
		mm		1 of 1	P/N:C6500HM-16P 6.00-5.00mm PITCH HOUSING-PLUG
		DRAWN BY	APPROVED BY		
		董正一 2001.02.01	董正一 2001.02.01		
		GENERAL TOLERANCE			
		X. X±0.25	ANGLE±		DRAW NO. : C6500HM-16P
B0	NEW RELEASE	2005.12.03	X. XX±0.15		
REV.	DESCRIPTION	DATE	X. XXX±0.05		