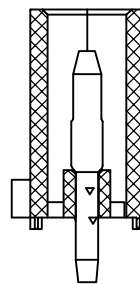
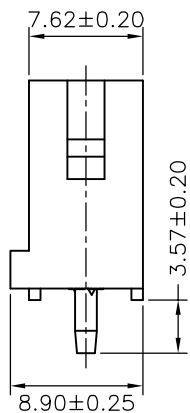
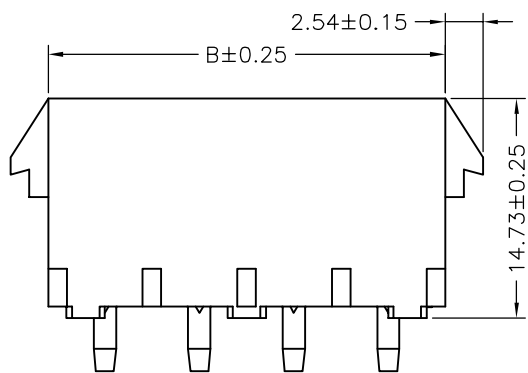


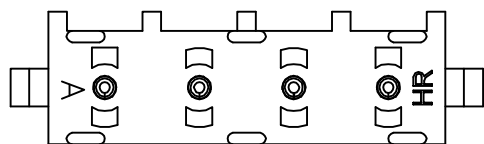
SPECIFICATIONS

Current Rating: 15A AC,DC
 Voltage Rating: 600V AC,DC
 Temperature Range: $-25^{\circ}\text{C} \sim +85^{\circ}\text{C}$
 Contact Resistance: 3.5m Ω Max
 Insulation Resistance: 1000M Ω Min
 Withstanding Voltage: 5000V AC/minute
 Pin Material: Brass/Tin-plated
 Material: Nylon 66,UL94V-0
 Color: Natural(White)

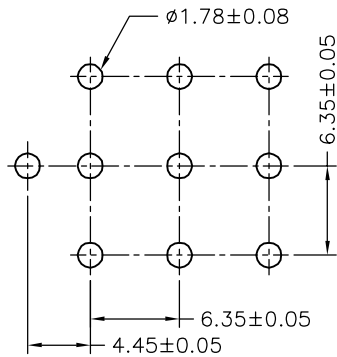
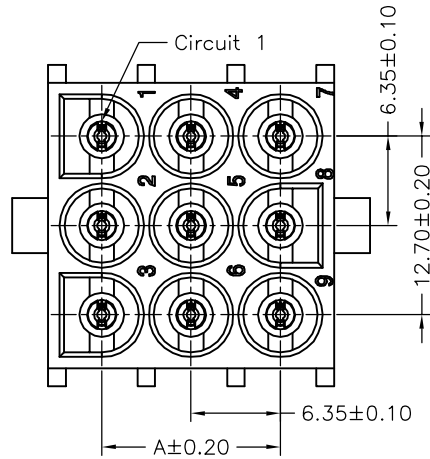


Ordering Information & Dimensions

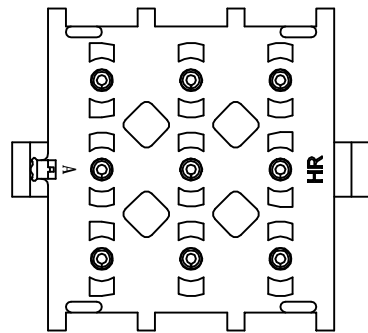
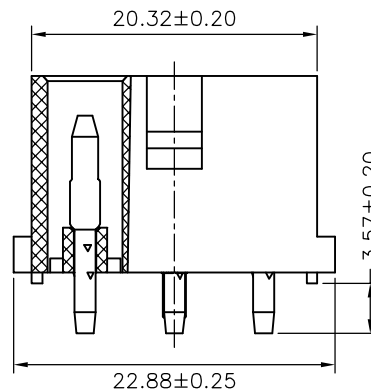
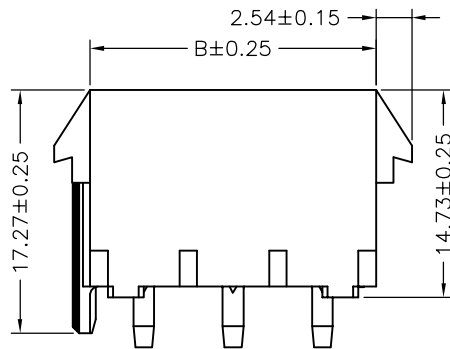
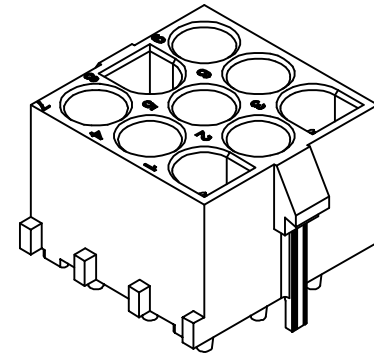
PART NO.	Dimensions	
	A	B
C6350WV-02PMV0	6.35	13.97
C6350WV-03PMV0	12.70	20.32
C6350WV-04PMV0	19.05	26.67
C6350WV-05PMV0	25.40	33.02
C6350WV-06PMV0	31.75	39.37
C6350WV-08PMV0	44.45	52.07



UNIT	SCALE	SHEET	TITLE:
mm		1 of 1	6.35mm PITCH 180° SINGLE ROW WAFER, MALE TYPE
DRAWN BY	APPROVED BY		
李勤	董正一		
2006.02.25	2006.02.25		
GENERAL TOLERANCE			
A1	REVISE	2007.09.14	X. X±0.25
A0	NEW RELEASE	2006.02.25	X. XX±0.15
REV.	DESCRIPTION	DATE	X. XXX±0.05
DRAW NO.:			REV. A1
C6350WV-XPV0			



P.C.B LAYOUT



SPECIFICATIONS

Current Rating: 15A AC,DC
 Voltage Rating: 600V AC,DC
 Temperature Range: -25°C ~ +85°C
 Contact Resistance: 3.5mΩ Max
 Insulation Resistance: 1000MΩ Min
 Withstanding Voltage: 5000V AC/minute
 Pin Material: Brass/Tin-plated
 Material: Nylon 66,UL94V-2
 Color: Natural(Translucent)

Ordering Information & Dimensions

PART NO.	Dimensions	
	A	B
C6350WV-F-3X02PMV2	6.35	13.97
C6350WV-F-3X03PMV2	12.70	20.32
C6350WV-F-3X04PMV2	19.05	26.67
C6350WV-F-3X05PMV2	25.40	33.02

				JOINT TECH ELECTRONIC IND. CO., LTD. JOY DAY INDUSTRIAL CO., LTD.	
		UNIT	SCALE	SHEET	TITLE:
		mm		1 of 1	
		DRAWN BY	APPROVED BY		6.35mm PITCH 180° TRIPLE ROW WAFER, POLARIZING PEG, MALE TYPE
		李勤	董正一		
		2006.02.25	2006.02.25		
		GENERAL TOLERANCE			
A1	REVISE	2007.09.14	X. X±0.25	ANGLE±	DRAW NO.: C6350WV-F-3XNPMV2
A0	NEW RELEASE	2006.02.25	X. XX±0.15		
REV.	DESCRIPTION	DATE	X. XXX±0.05		