

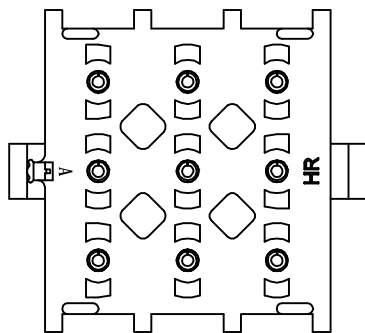
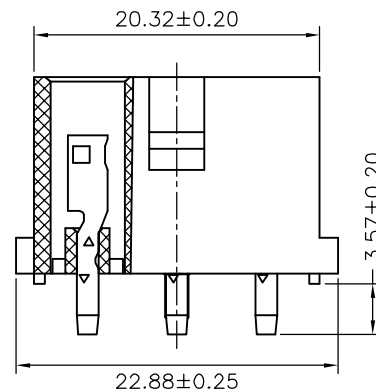
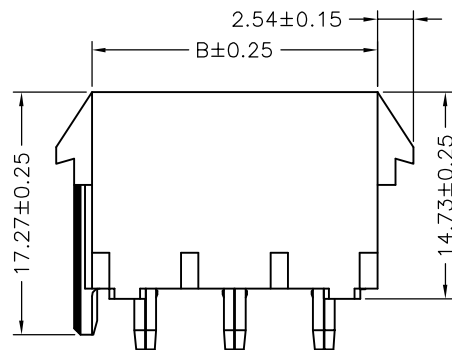
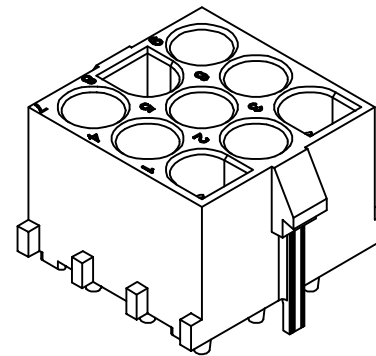
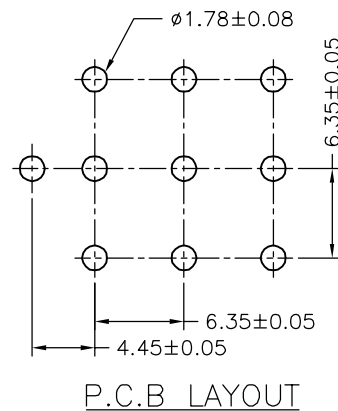
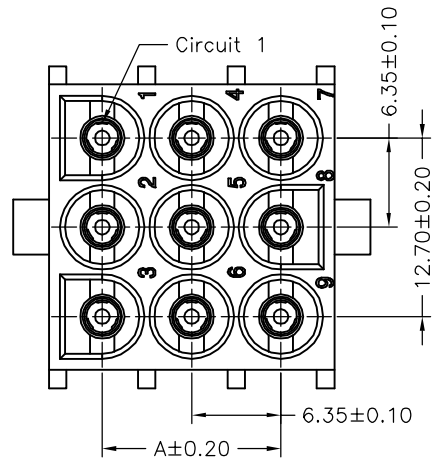
### SPECIFICATIONS

Current Rating: 15A AC,DC  
 Voltage Rating: 600V AC,DC  
 Temperature Range:  $-25^{\circ}\text{C} \sim +85^{\circ}\text{C}$   
 Contact Resistance: 3.5m $\Omega$  Max  
 Insulation Resistance: 1000M $\Omega$  Min  
 Withstanding Voltage: 5000V AC/minute  
 Pin Material: Brass/Tin-plated  
 Material: Nylon 66,UL94V-0  
 Color: Natural(White)

### Ordering Information & Dimensions

PART NO.	Dimensions	
	A	B
C6350WV-F-3X02PFV0	6.35	13.97
C6350WV-F-3X03PFV0	12.70	20.32
C6350WV-F-3X04PFV0	19.05	26.67
C6350WV-F-3X05PFV0	25.40	33.02

		JOINT TECH ELECTRONIC IND. CO., LTD. JOY DAY INDUSTRIAL CO., LTD.	
UNIT	SCALE	SHEET	TITLE:
mm		1 of 1	6.35mm PITCH 180° TRIPLE ROW WAFER, POLARIZING PEG, FEMALE TYPE
DRAWN BY	APPROVED BY		
李勤	董正一		
2006.02.25	2006.02.25		
GENERAL TOLERANCE			
A1	REVISE	2007.09.14	X. X±0.25
A0	NEW RELEASE	2006.02.25	X. XX±0.15
REV.	DESCRIPTION	DATE	X. XXX±0.05
			DRW NO.: C6350WV-F-3XNPFV0
			REV. A1



### SPECIFICATIONS

Current Rating: 15A AC,DC  
 Voltage Rating: 600V AC,DC  
 Temperature Range: -25°C ~ +85°C  
 Contact Resistance: 3.5mΩ Max  
 Insulation Resistance: 1000MΩ Min  
 Withstanding Voltage: 5000V AC/minute  
 Pin Material: Brass/Tin-plated  
 Material: Nylon 66,UL94V-2  
 Color: Natural(Translucent)

### Ordering Information & Dimensions

PART NO.	Dimensions	
	A	B
C6350WV-F-3X02PFV2	6.35	13.97
C6350WV-F-3X03PFV2	12.70	20.32
C6350WV-F-3X04PFV2	19.05	26.67
C6350WV-F-3X05PFV2	25.40	33.02

		JOINT TECH ELECTRONIC IND. CO., LTD. JOY DAY INDUSTRIAL CO., LTD.	
UNIT	SCALE	SHEET	TITLE:
mm		1 of 1	6.35mm PITCH 180° TRIPLE ROW WAFER, POLARIZING PEG, FEMALE TYPE
DRAWN BY	APPROVED BY		
李勤	董正一		
2006.02.25	2006.02.25		
GENERAL TOLERANCE			
A1	REVISE	2007.09.14	X. X±0.25
A0	NEW RELEASE	2006.02.25	X. XX±0.15
REV.	DESCRIPTION	DATE	X. XXX±0.05
DRAW NO. : C6350WV-F-3XNPFV2			REV. A1