

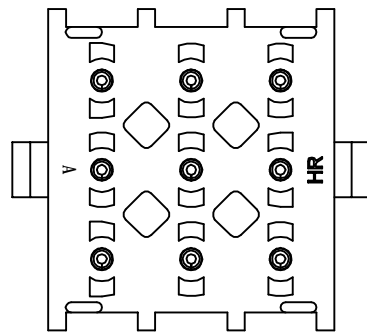
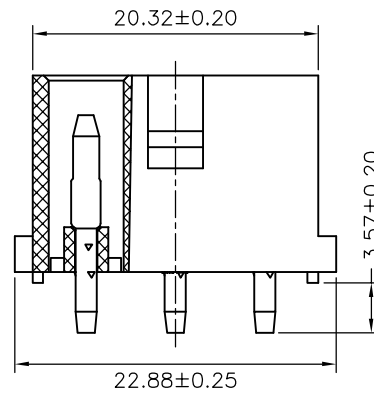
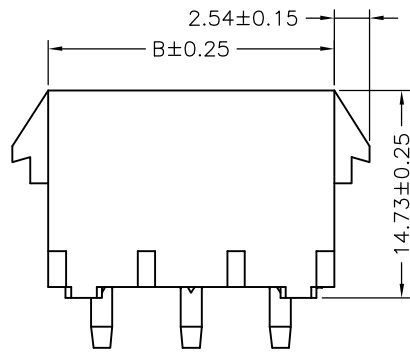
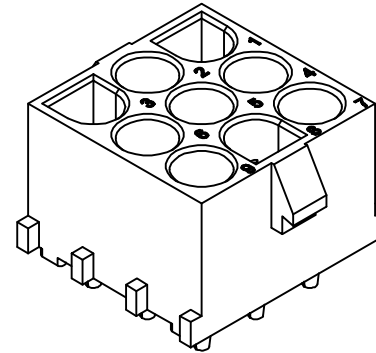
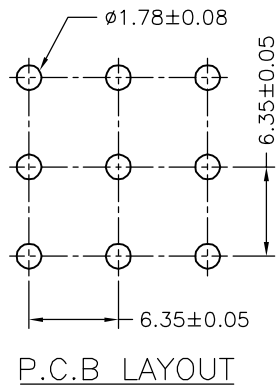
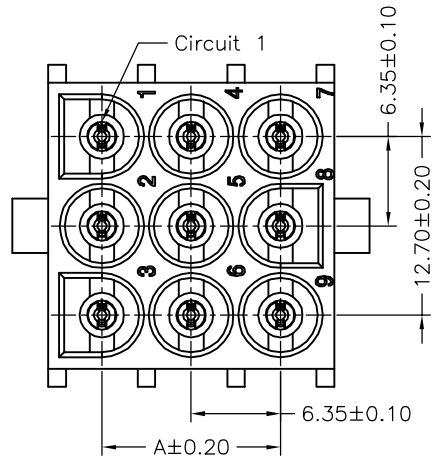
### SPECIFICATIONS

Current Rating: 15A AC,DC  
 Voltage Rating: 600V AC,DC  
 Temperature Range:  $-25^{\circ}\text{C} \sim +85^{\circ}\text{C}$   
 Contact Resistance: 3.5m $\Omega$  Max  
 Insulation Resistance: 1000M $\Omega$  Min  
 Withstanding Voltage: 5000V AC/minute  
 Pin Material: Brass/Tin-plated  
 Material: Nylon 66,UL94V-0  
 Color: Natural(White)

### Ordering Information & Dimensions

| PART NO.         | Dimensions |       |
|------------------|------------|-------|
|                  | A          | B     |
| C6350WV-3X02PMV0 | 6.35       | 13.97 |
| C6350WV-3X03PMV0 | 12.70      | 20.32 |
| C6350WV-3X04PMV0 | 19.05      | 26.67 |
| C6350WV-3X05PMV0 | 25.40      | 33.02 |

|                   |             |             |   |  |  |         |
|-------------------|-------------|-------------|---|--|--|---------|
|                   |             |             |   | JOINT TECH ELECTRONIC IND. CO., LTD.<br>JOY DAY INDUSTRIAL CO., LTD. |  |         |
| UNIT              | SCALE       | SHEET       | TITLE:  |  |  |         |
| mm                |             | 1 of 1      | 6.35mm PITCH<br>180° TRIPLE ROW WAFER,<br>MALE TYPE |  |  |         |
| DRAWN BY          |             | APPROVED BY |   |  |  |         |
| 李勤                |             | 董正一         |   |  |  |         |
| 2006.02.25        |             | 2006.02.25  |   |  |  |         |
| GENERAL TOLERANCE |             |             |   |  |  |         |
| A1                | REVISE      | 2007.09.14  | X. X±0.25   | ANGLE±   |  |         |
| A0                | NEW RELEASE | 2006.02.25  | X. XX±0.15  | DRAW NO.: C6350WV-3XNPMV0  |  |         |
| REV.              | DESCRIPTION | DATE        | X. XXX±0.05   |  |  | REV. A1 |



### SPECIFICATIONS

Current Rating: 15A AC,DC  
 Voltage Rating: 600V AC,DC  
 Temperature Range:  $-25^{\circ}\text{C} \sim +85^{\circ}\text{C}$   
 Contact Resistance:  $3.5\text{m}\Omega$  Max  
 Insulation Resistance:  $1000\text{M}\Omega$  Min  
 Withstanding Voltage: 5000V AC/minute  
 Pin Material: Brass/Tin-plated  
 Material: Nylon 66,UL94V-2  
 Color: Natural(Translucent)

### Ordering Information & Dimensions

| PART NO.         | Dimensions |       |
|------------------|------------|-------|
|                  | A          | B     |
| C6350WV-3X02PMV2 | 6.35       | 13.97 |
| C6350WV-3X03PMV2 | 12.70      | 20.32 |
| C6350WV-3X04PMV2 | 19.05      | 26.67 |
| C6350WV-3X05PMV2 | 25.40      | 33.02 |

|      |             |                   |             |  |   |
|------|-------------|-------------------|-------------|--|---|
|      |             |                   |             | JOINT TECH ELECTRONIC IND. CO., LTD.<br>JOY DAY INDUSTRIAL CO., LTD. |   |
|      |             | UNIT              | SCALE       | SHEET  | TITLE:  |
|      |             | mm                |             | 1 of 1   | 6.35mm PITCH<br>180° TRIPLE ROW WAFER,<br>MALE TYPE |
|      |             | DRAWN BY          | APPROVED BY |  |   |
|      |             | 李勤                | 董正一         |  |   |
|      |             | 2006.02.25        | 2006.02.25  |  |   |
|      |             | GENERAL TOLERANCE |             |  |   |
| A1   | REVISE      | 2007.09.14        | X. X±0.25   | ANGLE±   | DRAW NO.: C6350WV-3XNPMV2<br>REV. A1                |
| A0   | NEW RELEASE | 2006.02.25        | X. XX±0.15  |  |   |
| REV. | DESCRIPTION | DATE              | X. XXX±0.05 |  |   |