

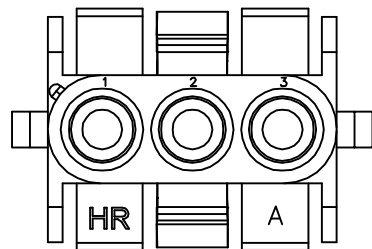
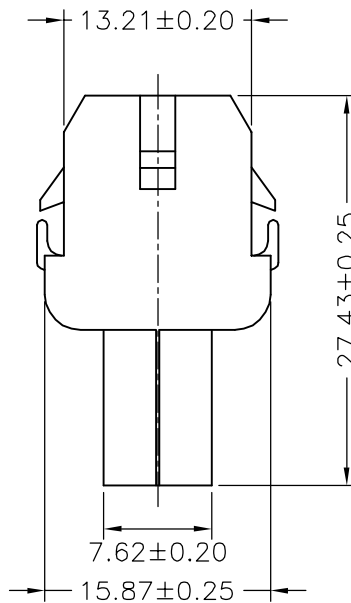
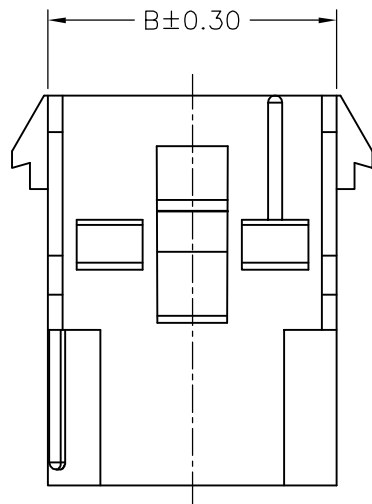
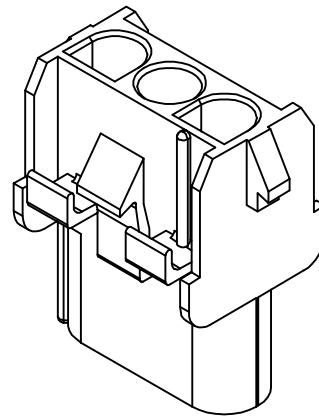
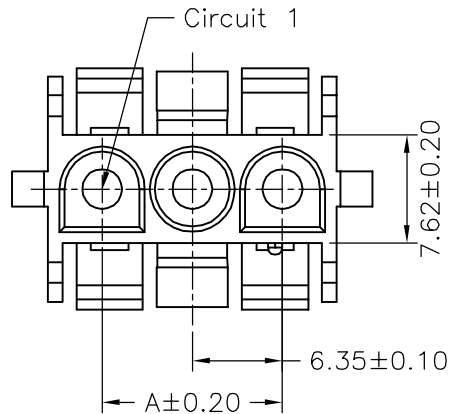
SPECIFICATIONS

Current Rating: 15A AC,DC
 Voltage Rating: 600V AC,DC
 Temperature Range: -25°C ~ +85°C
 Contact Resistance: 3.5mΩ Max
 Insulation Resistance: 1000MΩ Min
 Withstanding Voltage: 5000V AC/minute
 Material: Nylon 66,UL94V-0
 Color: Natural(White)

Ordering Information & Dimensions

PART NO.	Dimensions	
	A	B
C6350HM-02P-V0	6.35	13.97
C6350HM-03P-V0	12.70	20.32
C6350HM-04P-V0	19.05	26.67
C6350HM-05P-V0	25.40	33.02
C6350HM-06P-V0	31.75	39.37
C6350HM-08P-V0	44.45	52.07

				UNIT: mm SCALE: 1 of 1 SHEET: 1 of 1		TITLE: 6.35mm PITCH SINGLE ROW HOUSING- PLUG
DRAWN BY: 李勤 2006.02.25				APPROVED BY: 董正一 2006.02.25		
GENERAL TOLERANCE: A1 REVISE 2007.09.14 X.X±0.25 ANGLE± A0 NEW RELEASE 2006.02.25 X.XX±0.15 REV. DESCRIPTION DATE DATE X.XXX±0.05				REV. A1		



SPECIFICATIONS

Current Rating: 15A AC,DC
 Voltage Rating: 600V AC,DC
 Temperature Range: -25°C ~ +85°C
 Contact Resistance: 3.5mΩ Max
 Insulation Resistance: 1000MΩ Min
 Withstanding Voltage: 5000V AC/minute
 Material: Nylon 66,UL94V-2
 Color: Natural(Translucent)

Ordering Information & Dimensions

PART NO.	Dimensions	
	A	B
C6350HM-02P-V2	6.35	13.97
C6350HM-03P-V2	12.70	20.32
C6350HM-04P-V2	19.05	26.67
C6350HM-05P-V2	25.40	33.02
C6350HM-06P-V2	31.75	39.37
C6350HM-08P-V2	44.45	52.07

				JOINT TECH ELECTRONIC IND. CO., LTD. JOY DAY INDUSTRIAL CO., LTD.	
UNIT	SCALE	SHEET	TITLE:		
mm		1 of 1	6.35mm PITCH SINGLE ROW HOUSING- PLUG		
DRAWN BY 李勤 2006.02.25		APPROVED BY 董正一 2006.02.25			
GENERAL TOLERANCE					
A1	REVISE	2007.09.14	X. X±0.25	ANGLE±	
A0	NEW RELEASE	2006.02.25	X. XX±0.15	DRAW NO.: C6350HM-XP-V2	
REV.	DESCRIPTION	DATE	X. XXX±0.05		