

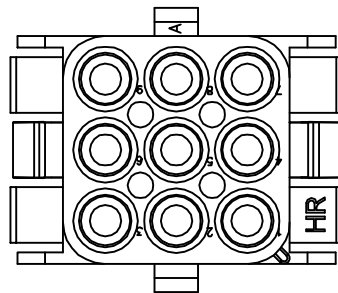
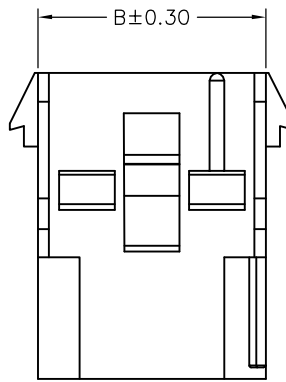
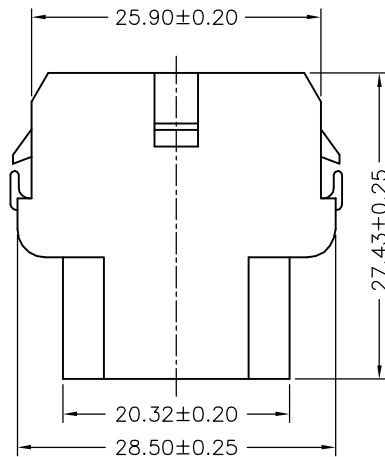
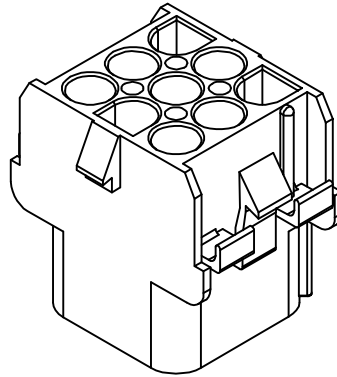
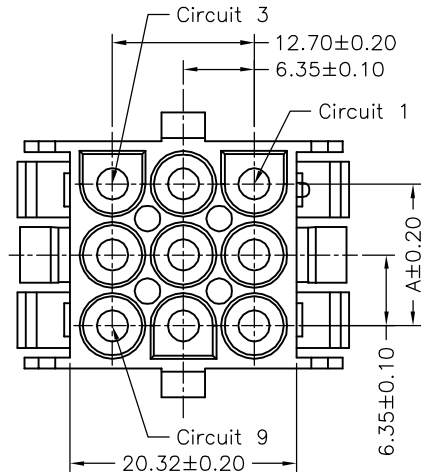
**SPECIFICATIONS**

Current Rating: 15A AC,DC  
 Voltage Rating: 600V AC,DC  
 Temperature Range: -25°C ~ +85°C  
 Contact Resistance: 3.5mΩ Max  
 Insulation Resistance: 1000MΩ Min  
 Withstanding Voltage: 5000V AC/minute  
 Material: Nylon 66,UL94V-0  
 Color: Natural(White)

**Ordering Information & Dimensions**

PART NO.	Dimensions	
	A	B
C6350HM-3X02P-V0	6.35	14.05
C6350HM-3X03P-V0	12.70	20.40
C6350HM-3X04P-V0	19.05	26.75
C6350HM-3X05P-V0	25.40	33.10

				JOINT TECH ELECTRONIC IND. CO., LTD. JOY DAY INDUSTRIAL CO., LTD.	
UNIT	SCALE	SHEET	TITLE:		
mm		1 of 1	6.35mm PITCH TRIPLE ROW HOUSING- PLUG		
DRAWN BY	APPROVED BY				
李勤	董正一		DRAW NO. : C6350HM-3XNP-V0		
2006.02.25	2006.02.25		REV. A1		
GENERAL TOLERANCE					
A1	REVISE	2007.09.14	X. X±0.25	ANGLE±	
A0	NEW RELEASE	2006.02.25	X. XX±0.15		
REV.	DESCRIPTION	DATE	X. XXX±0.05		



**SPECIFICATIONS**

Current Rating: 15A AC,DC  
 Voltage Rating: 600V AC,DC  
 Temperature Range: -25°C ~ +85°C  
 Contact Resistance: 3.5mΩ Max  
 Insulation Resistance: 1000MΩ Min  
 Withstanding Voltage: 5000V AC/minute  
 Material: Nylon 66,UL94V-2  
 Color: Natural(Translucent)

**Ordering Information & Dimensions**

PART NO.	Dimensions	
	A	B
C6350HM-3X02P-V2	6.35	14.05
C6350HM-3X03P-V2	12.70	20.40
C6350HM-3X04P-V2	19.05	26.75
C6350HM-3X05P-V2	25.40	33.10

				JOINT TECH ELECTRONIC IND. CO., LTD. JOY DAY INDUSTRIAL CO., LTD.	
UNIT	SCALE	SHEET	TITLE:		
mm		1 of 1	6.35mm PITCH TRIPLE ROW HOUSING- PLUG		
DRAWN BY 李勤		APPROVED BY 董正一			
2006.02.25		2006.02.25	DRAW NO. : C6350HM-3XNP-V2		
GENERAL TOLERANCE			REV. A1		
A1	REVISE	2007.09.14	X. X±0.25	ANGLE±	
A0	NEW RELEASE	2006.02.25	X. XX±0.15		
REV.	DESCRIPTION	DATE	X. XXX±0.05		