

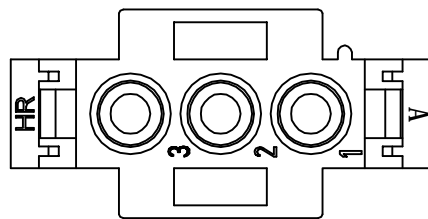
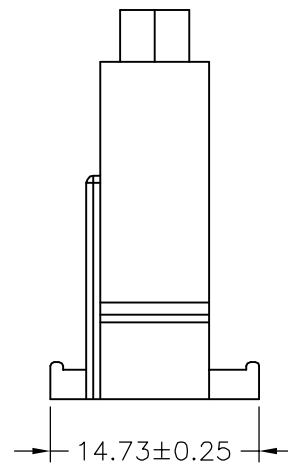
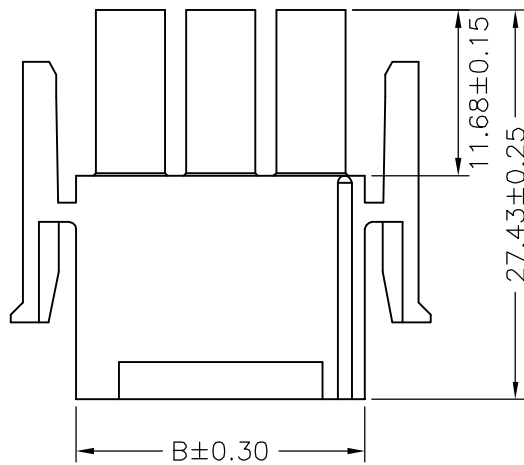
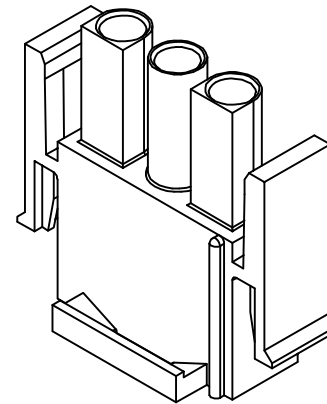
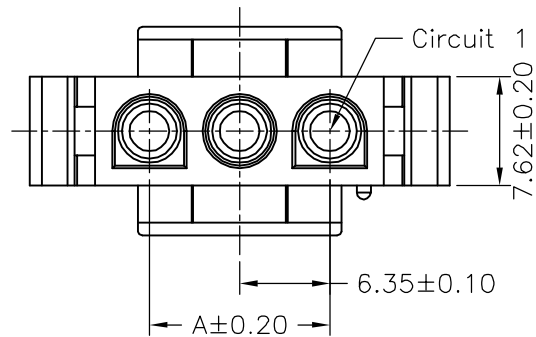
SPECIFICATIONS

Current Rating: 15A AC,DC
 Voltage Rating: 600V AC,DC
 Temperature Range: -25°C ~ +85°C
 Contact Resistance: 3.5mΩ Max
 Insulation Resistance: 1000MΩ Min
 Withstanding Voltage: 5000V AC/minute
 Material: Nylon 66,UL94V-0
 Color: Natural(White)

Ordering Information & Dimensions

PART NO.	Dimensions	
	A	B
C6350HF-02P-V0	6.35	13.97
C6350HF-03P-V0	12.70	20.32
C6350HF-04P-V0	19.05	26.67
C6350HF-05P-V0	25.40	33.02
C6350HF-06P-V0	31.75	39.37
C6350HF-08P-V0	44.45	52.07

		UNIT	SCALE	SHEET	TITLE:		
		mm		1 of 1			
		DRAWN BY		APPROVED BY			
		李勤		董正一			
		2006.02.25		2006.02.25			
		GENERAL TOLERANCE				6.35mm PITCH SINGLE ROW HOUSING- RECEPTACLE	
A1	REVISE	2007.09.14	X.X±0.25	ANGLE±			
A0	NEW RELEASE	2006.02.25	X.XX±0.15				
REV.	DESCRIPTION	DATE	X.XXX±0.05				
						DRAW NO.:	REV.
						C6350HF-XP-V0	A1



SPECIFICATIONS

Current Rating: 15A AC,DC
 Voltage Rating: 600V AC,DC
 Temperature Range: -25°C ~ +85°C
 Contact Resistance: 3.5mΩ Max
 Insulation Resistance: 1000MΩ Min
 Withstanding Voltage: 5000V AC/minute
 Material: Nylon 66,UL94V-2
 Color: Natural(Translucent)

Ordering Information & Dimensions

PART NO.	Dimensions	
	A	B
C6350HF-02P-V2	6.35	13.97
C6350HF-03P-V2	12.70	20.32
C6350HF-04P-V2	19.05	26.67
C6350HF-05P-V2	25.40	33.02
C6350HF-06P-V2	31.75	39.37
C6350HF-08P-V2	44.45	52.07

UNIT	SCALE	SHEET	TITLE:		
mm		1 of 1	6.35mm PITCH SINGLE ROW HOUSING- RECEPTACLE		
DRAWN BY		APPROVED BY			
李勤		董正一			
2006.02.25		2006.02.25			
GENERAL TOLERANCE				DRAW NO. : C6350HF-XP-V2	
A1	REVISE	2007.09.14	X. X±0.25	ANGLE±	
A0	NEW RELEASE	2006.02.25	X. XX±0.15		
REV.	DESCRIPTION	DATE	X. XXX±0.05		

REV. A1