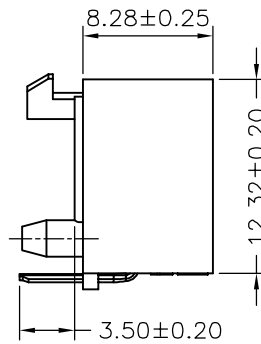
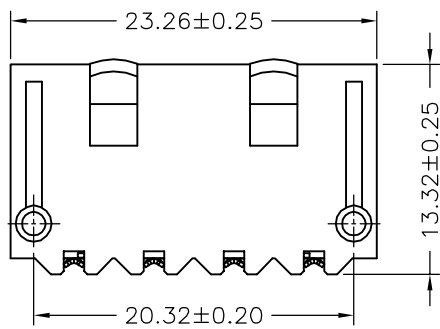
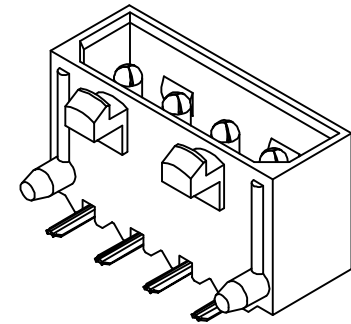
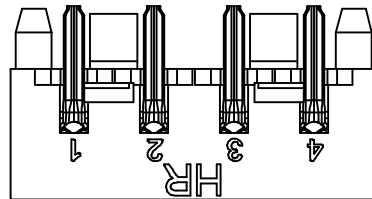


P.C.B. LAYOUT



SPECIFICATIONS

- Current Rating: 10A AC,DC
- Voltage Rating: 250V AC,DC
- Temperature Range: -25°C ~ +85°C
- Contact Resistance: 10mΩ Max
- Insulation Resistance: 1000MΩ Min
- Withstanding Voltage: 1500V AC/minute
- Pin Material: Brass/Tin-plated
- Material: Nylon 66,UL94V-2
- Color: Natural(Translucent)



				JOINT TECH ELECTRONIC IND. CO., LTD. JOY DAY INDUSTRIAL CO., LTD.	
		UNIT	SCALE	SHEET	TITLE:
		mm		1 of 1	
		DRAWN BY	APPROVED BY		P/N: C5080WR-F-04P 5.08mm PITCH 90° WAFER
		歐陽小強	董正一		
		2007.04.25	2007.04.25		
		GENERAL TOLERANCE			DRAW NO.: C5080WR-F-04P
		X. X±0.25	ANGLE±		
		X. XX±0.15			
A0	NEW RELEASE	2007.04.25	X. XXX±0.05		REV. A0
REV.	DESCRIPTION	DATE			