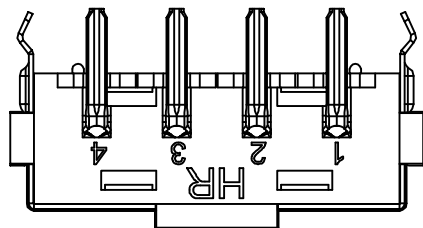
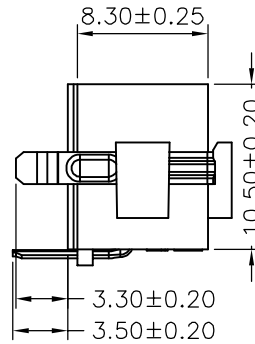
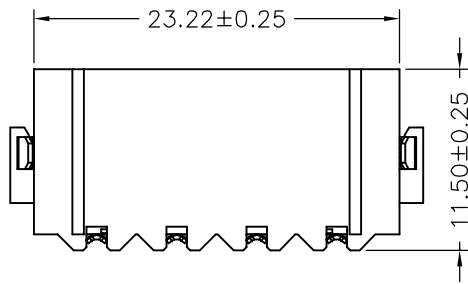
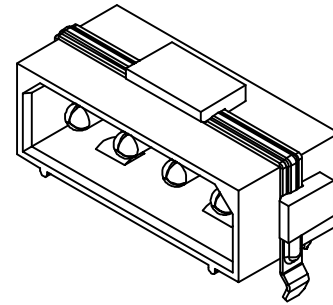


P.C.B. LAYOUT



SPECIFICATIONS

Current Rating: 10A AC,DC
 Voltage Rating: 250V AC,DC
 Temperature Range: -25°C ~ +85°C
 Contact Resistance: 10mΩ Max
 Insulation Resistance: 1000MΩ Min
 Withstanding Voltage: 1500V AC/minute
 Pin Material: Brass/Tin-plated
 Metal Band: Brass/Tin-plated
 Material: Nylon 6T,UL94V-0
 Color: Natural(Black)

				JOINT TECH ELECTRONIC IND. CO., LTD. JOY DAY INDUSTRIAL CO., LTD.	
UNIT	SCALE	SHEET	TITLE:		
mm		1 of 1	P/N: C5080WR-04PR 5.08mm PITCH 90° WAFER-REVERSE		
DRAWN BY 歐陽小強 2007.04.25		APPROVED BY 董正一 2007.04.25			
GENERAL TOLERANCE			ANGLE±		
A0	NEW RELEASE	2007.04.25	X.X±0.25		
REV.	DESCRIPTION	DATE	X.XX±0.15 X.XXX±0.05		