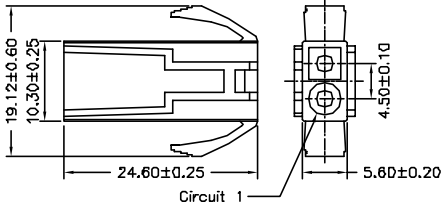
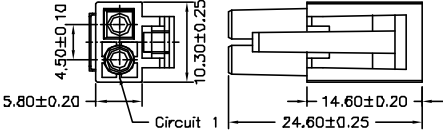
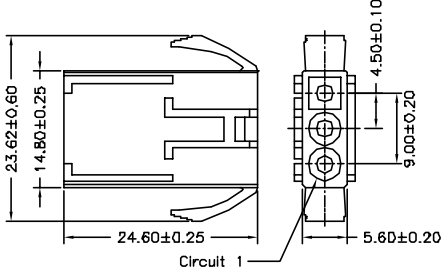
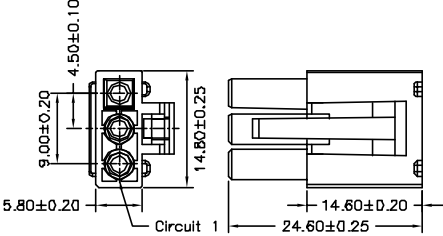
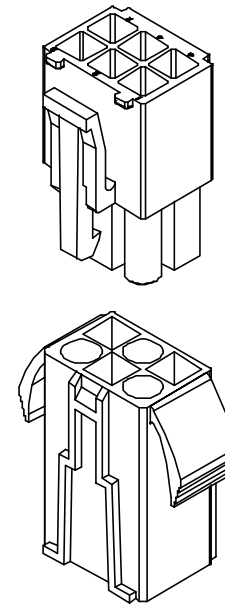



Ordering Information & Dimensions

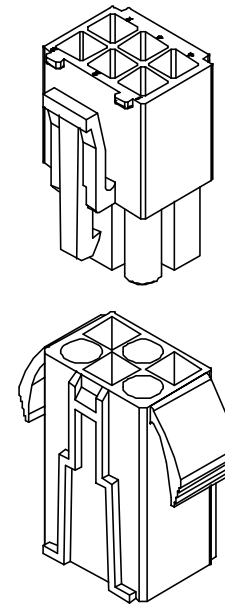
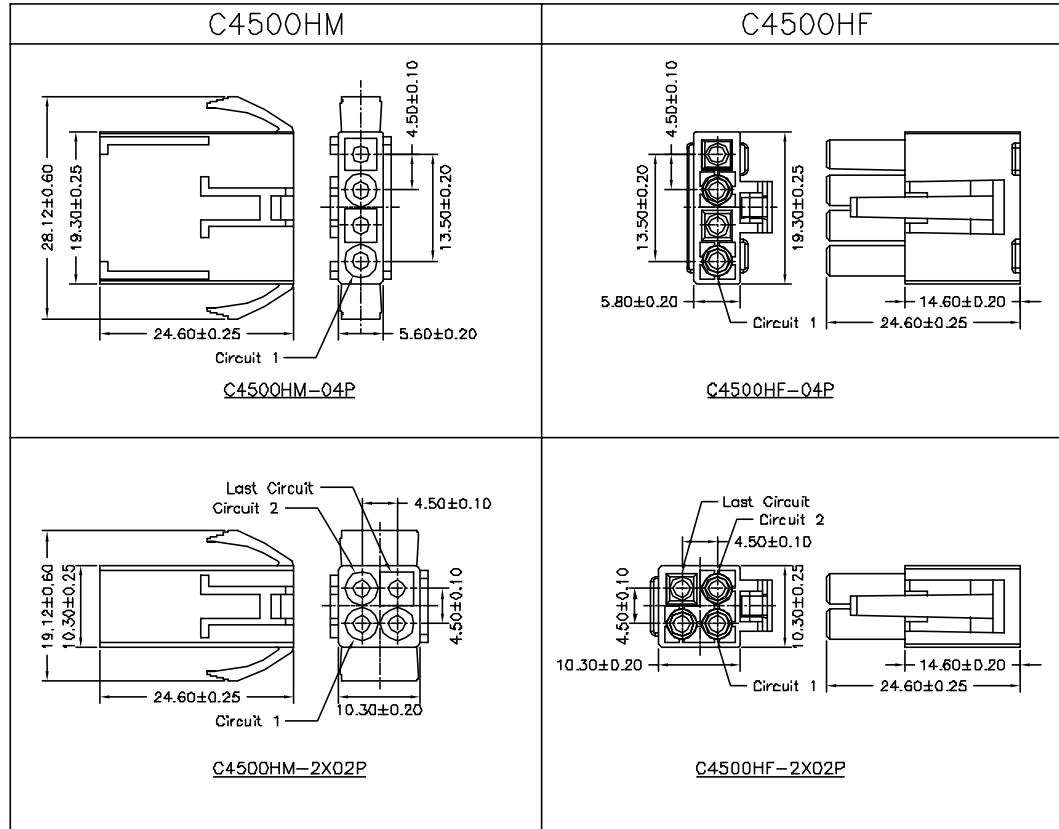
C4500HM	C4500HF
 <p>Circuit 1</p> <p>C4500HM-02P</p>	 <p>Circuit 1</p> <p>C4500HF-02P</p>
 <p>Circuit 1</p> <p>C4500HM-03P</p>	 <p>Circuit 1</p> <p>C4500HF-03P</p>



SPECIFICATIONS
 Current Rating: 10A AC,DC
 Voltage Rating: 300V AC,DC
 Temperature Range: -25°C ~ +85°C
 Contact Resistance: 7mΩ Max
 Insulation Resistance: 1000MΩ Min
 Withstanding Voltage: 1500V AC/minute
 Material: Nylon 66,UL94V-0
 Color: Natural(White)

			 JOINT TECH ELECTRONIC IND. CO., LTD. JOY DAY INDUSTRIAL CO., LTD.		
			UNIT	SCALE	SHEET
			mm		1 of 5
			DRAWN BY	APPROVED BY	
			董正一	董正一	
			2001.02.01	2001.02.01	
B2	REVISE	2008.02.20	GENERAL TOLERANCE		
B1	REVISE	2006.02.09	X.X ±0.25	ANGLE ±	
B0	NEW RELEASE	2005.12.27	X.XX ±0.15		
REV.	DESCRIPTION	DATE	X.XXX ±0.05		
			TITLE:		
			4.50mm PITCH HOUSING		
			DRAW NO.:		REV.
			C4500HX-XP		B2

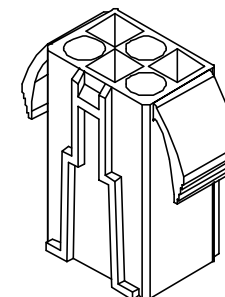
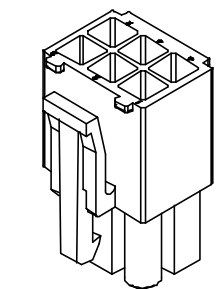
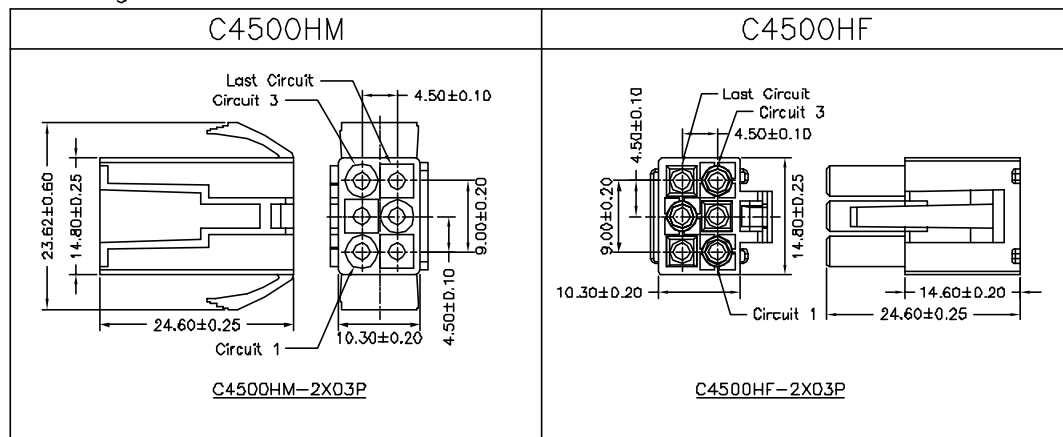
Ordering Information & Dimensions



SPECIFICATIONS
 Current Rating: 10A AC,DC
 Voltage Rating: 300V AC,DC
 Temperature Range: -25°C ~ +85°C
 Contact Resistance: 7mΩ Max
 Insulation Resistance: 1000MΩ Min
 Withstanding Voltage: 1500V AC/minute
 Material: Nylon 66,UL94V-0
 Color: Natural(White)

UNIT	SCALE	SHEET	TITLE:
mm		2 of 5	4.50mm PITCH HOUSING
DRAWN BY 董正一	APPROVED BY 董正一	2001.02.01	
B2	REVISE	2008.02.18	GENERAL TOLERANCE
B1	REVISE	2006.02.09	X.X ±0.25
B0	NEW RELEASE	2005.12.27	ANGLE ±
REV.	DESCRIPTION	DATE	X.XXX ±0.15 X.XXX ±0.05
DRAW NO. : C4500HX-XP			REV. B2

Ordering Information & Dimensions

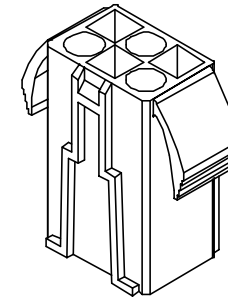
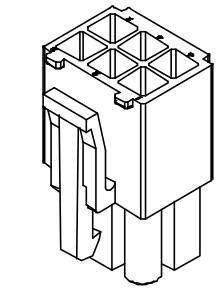
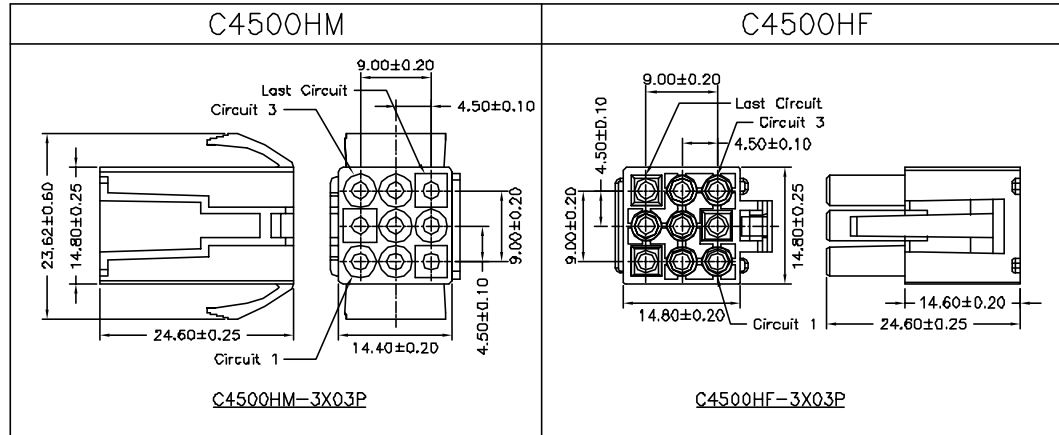


SPECIFICATIONS

Current Rating: 8A AC,DC
 Voltage Rating: 300V AC,DC
 Temperature Range: -25°C ~ +85°C
 Contact Resistance: 7mΩ Max
 Insulation Resistance: 1000MΩ Min
 Withstanding Voltage: 1500V AC/minute
 Material: Nylon 66,UL94V-0
 Color: Natural(White)

		UNIT	SCALE	SHEET	TITLE:
		mm		3 of 5	4.50mm PITCH HOUSING
		DRAWN BY 董正一	APPROVED BY 董正一	2001.02.01	
B2	REVISE	2008.02.20	GENERAL TOLERANCE		DRAW NO. : C4500HX-XP
B1	REVISE	2006.02.09	X.X ±0.25	ANGLE ±	
B0	NEW RELEASE	2005.12.27	X.XX ±0.15		
REV.	DESCRIPTION	DATE	X.XXX ±0.05		REV. : B2

Ordering Information & Dimensions



SPECIFICATIONS

Current Rating: 6A AC,DC

Voltage Rating: 300V AC,DC

Temperature Range: -25°C ~ +85°C

Contact Resistance: 7mΩ Max

Insulation Resistance: 1000MΩ Min

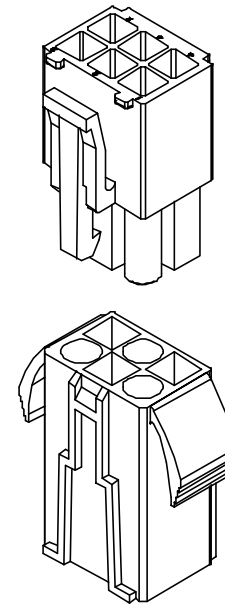
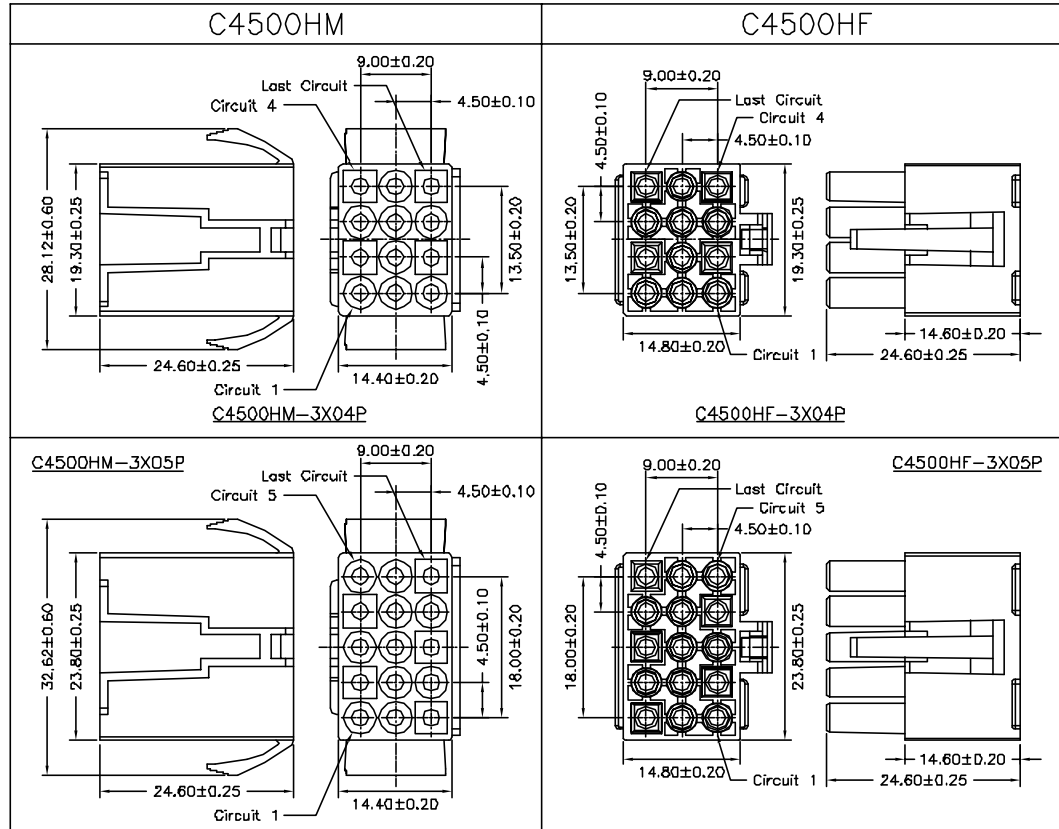
Withstanding Voltage: 1500V AC/minute

Material: Nylon 66,UL94V-0

Color: Natural(White)

		UNIT	SCALE	SHEET	TITLE:
		mm		4 of 5	4.50mm PITCH HOUSING
		DRAWN BY 董正一	APPROVED BY 董正一		
		2001.02.01	2001.02.01		
B2	REVISE	2008.02.20	GENERAL TOLERANCE		
B1	REVISE	2006.02.09	X.X ±0.25	ANGLE ±	
B0	NEW RELEASE	2005.12.27	X.XX ±0.15		
REV.	DESCRIPTION	DATE	X.XXX ±0.05		DRAW NO.: C4500HX-XP
					REV. B2

Ordering Information & Dimensions



SPECIFICATIONS

Current Rating: 6A AC,DC
 Voltage Rating: 300V AC,DC
 Temperature Range: -25°C ~ +85°C
 Contact Resistance: 7mΩ Max
 Insulation Resistance: 1000MΩ Min
 Withstanding Voltage: 1500V AC/minute
 Material: Nylon 66,UL94V-0
 Color: Natural(White)

				JOINT TECH ELECTRONIC IND. CO., LTD. JOY DAY INDUSTRIAL CO., LTD.	
		UNIT	SCALE	SHEET	TITLE:
		mm		5 of 5	4.50mm PITCH HOUSING
		DRAWN BY	APPROVED BY		
		董正一	董正一		
		2001.02.01	2001.02.01		
B2	REVISE	2008.02.20	GENERAL TOLERANCE		
B1	REVISE	2006.02.09	X.X ±0.25	ANGLE ±	
B0	NEW RELEASE	2005.12.27	X.XX ±0.15		
REV.	DESCRIPTION	DATE	X.XXX ±0.05		
				DRAW NO.:	REV.
				C4500HX-XP	B2