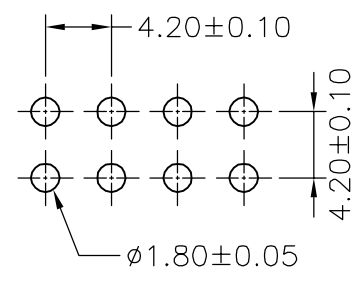
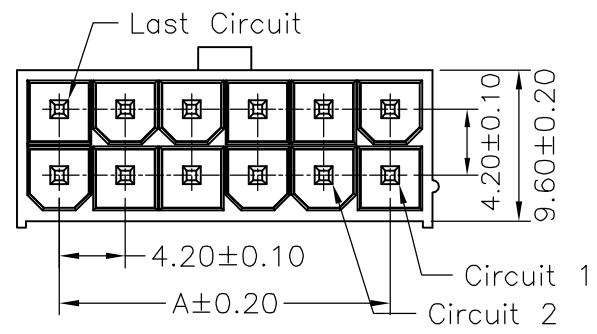


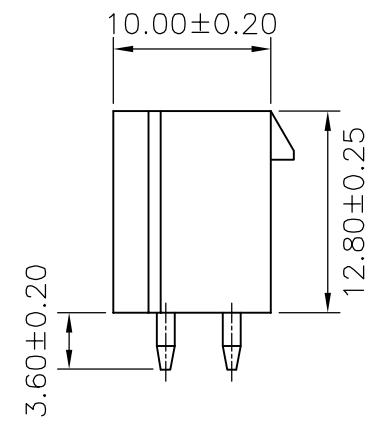
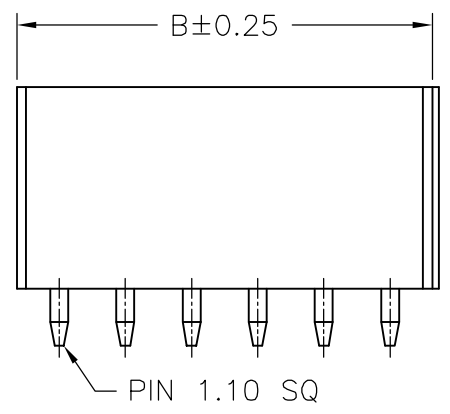
SPECIFICATIONS
 Current Rating: 9A AC,DC
 Voltage Rating: 600V AC,DC
 Temperature Range: -25°C ~ +85°C
 Contact Resistance: 10mΩ Max
 Insulation Resistance: 1000MΩ Min
 Withstanding Voltage: 1500V AC/minute
 Pin Material: Brass/Tin-plated
 Material: Nylon 66,UL94V-2
 Color: Natural(Translucent)

Ordering Information & Dimensions

PART NO.	Dimensions	
	A	B
C4255WV-2X01P	---	5.40
C4255WV-2X02P	4.20	9.60
C4255WV-2X03P	8.40	13.80
C4255WV-2X04P	12.60	18.00
C4255WV-2X05P	16.80	22.20
C4255WV-2X06P	21.00	26.40
C4255WV-2X07P	25.20	30.60
C4255WV-2X08P	29.40	34.80
C4255WV-2X09P	33.60	39.00
C4255WV-2X10P	37.80	43.20
C4255WV-2X11P	42.00	47.40
C4255WV-2X12P	46.20	51.60



P.C.B LAYOUT



				JOINT TECH ELECTRONIC IND. CO., LTD. JOY DAY INDUSTRIAL CO., LTD.	
		UNIT	SCALE	SHEET	TITLE:
		mm		1 of 1	
		DRAWN BY	APPROVED BY		4.20mm PITCH 180° WAFER, MINI-FIT
		董正一	董正一		
		2001.02.01	2001.02.01		
		GENERAL TOLERANCE			
		X.X±0.25	ANGLE±		DRAW NO.: C4255WV-2XNP
BO	NEW RELEASE	2006.06.07			
REV.	DESCRIPTION	DATE	X.XX±0.15	X.XXX±0.05	