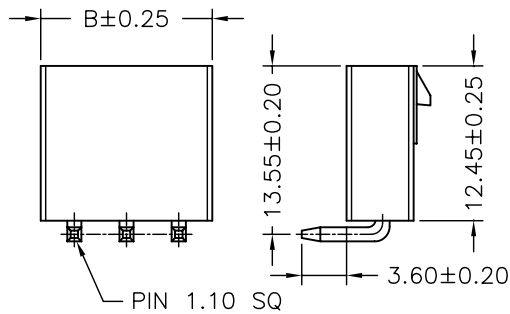
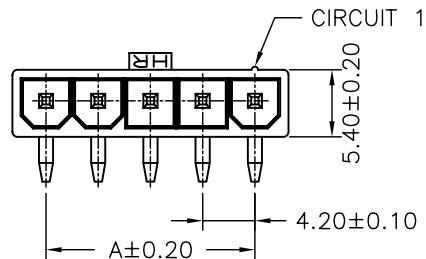
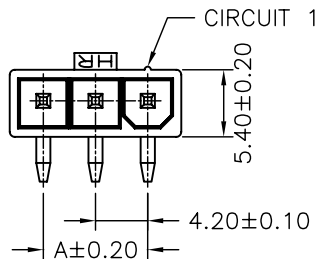
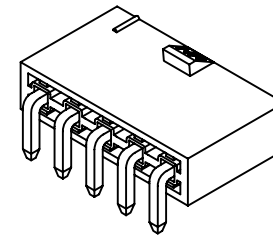
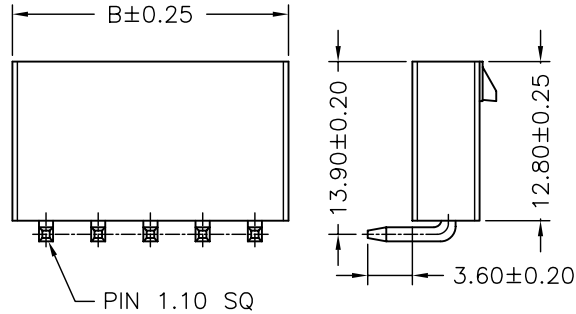


P.C.B. LAYOUT



3P



2P,4P,5P

SPECIFICATIONS

Current Rating: 9A AC,DC
 Voltage Rating: 600V AC,DC
 Temperature Range: -25°C ~ +85°C
 Contact Resistance: 10mΩ Max
 Insulation Resistance: 1000MΩ Min
 Withstanding Voltage: 1500V AC/minute
 Pin Material: Brass/Tin-plated
 Material: Nylon 66,UL94V-2
 Color: Natural(Translucent)

Ordering Information & Dimensions

PART NO.	Dimensions	
	A	B
C4255WR-02P	4.20	9.60
C4255WR-03P	8.40	13.80
C4255WR-04P	12.60	18.00
C4255WR-05P	16.80	22.20

			UNIT	SCALE	SHEET
			mm		1 of 1
			DRAWN BY		APPROVED BY
			董正一		董正一
			2004.09.23		2004.09.23
			GENERAL TOLERANCE		
			X.X±0.25	ANGLE±	
			X.XX±0.15		
			X.XXX±0.05		
B0	NEW RELEASE	2006.06.07			
REV.	DESCRIPTION	DATE			
			TITLE:		
			4.20mm PITCH		
			90° WAFER,		
			SINGLE ROW, MINI-FIT		
			DRAW NO. :		REV.
			C4255WR-XP		B0