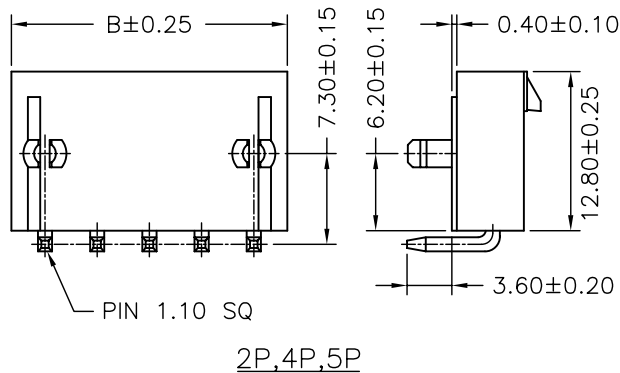
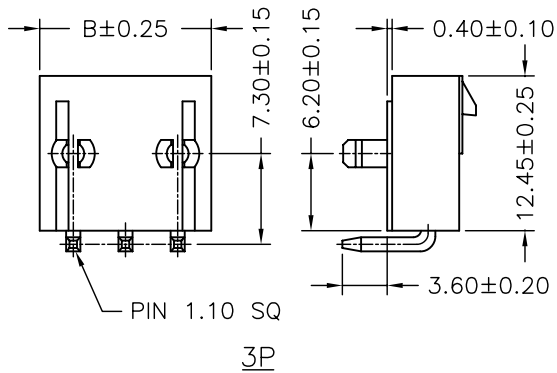
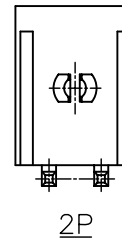
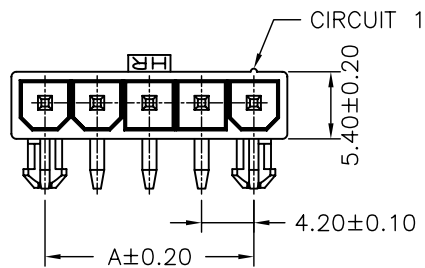
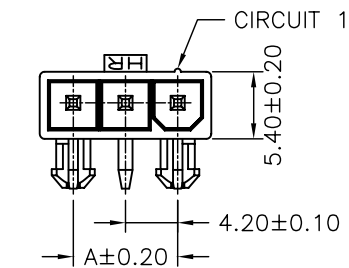
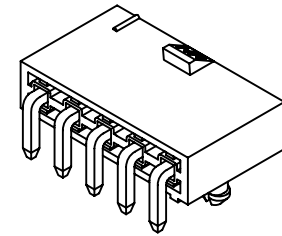


P.C.B LAYOUT



SPECIFICATIONS

Current Rating: 9A AC,DC
 Voltage Rating: 600V AC,DC
 Temperature Range: -25°C ~ +85°C
 Contact Resistance: 10mΩ Max
 Insulation Resistance: 1000MΩ Min
 Withstanding Voltage: 1500V AC/minute
 Pin Material: Brass/Tin-plated
 Material: Nylon 66,UL94V-2
 Color: Natural(Translucent)

Ordering Information & Dimensions

PART NO.	Dimensions	
	A	B
C4255WR-F-02P	4.20	9.60
C4255WR-F-03P	8.40	13.80
C4255WR-F-04P	12.60	18.00
C4255WR-F-05P	16.80	22.20

UNIT	SCALE	SHEET	TITLE:		
mm		1 of 1	4.20mm PITCH		
DRAWN BY	APPROVED BY	90° WAFER WITH PEGS,			
董正一	董正一	SINGLE ROW, MINI-FIT			
2003.01.24	2003.01.24	DRAW NO. :			
GENERAL TOLERANCE			C4255WR-F-XP		
X. X±0.25	ANGLE±	REV. B0			
B0 NEW RELEASE	2006.06.07				
REV. DESCRIPTION	DATE				