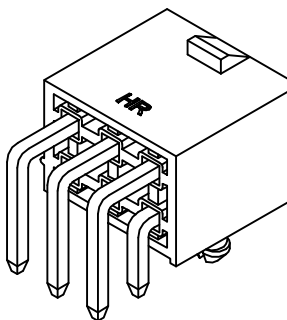
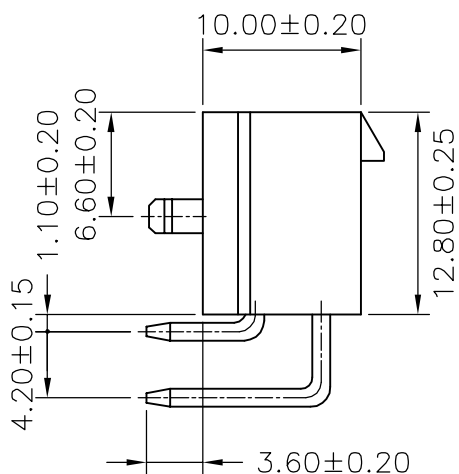
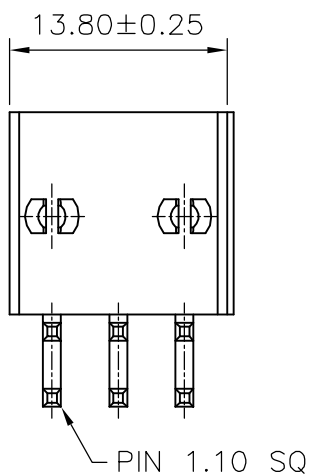




P.C.B LAYOUT



SPECIFICATIONS

Current Rating: 9A AC,DC
 Voltage Rating: 600V AC,DC
 Temperature Range: -25°C ~ +85°C
 Contact Resistance: 10mΩ Max
 Insulation Resistance: 1000MΩ Min
 Withstanding Voltage: 1500V AC/minute
 Pin Material: Brass/Tin-plated
 Material: Nylon 66,UL94V-2
 Color: Black

				JOINT TECH ELECTRONIC IND. CO., LTD. JOY DAY INDUSTRIAL CO., LTD.	
		UNIT	SCALE	SHEET	TITLE:
		mm		1 of 1	
		DRAWN BY	APPROVED BY		P/N: C4255WR-F-2X03PA 4.20mm PITCH, MINI-FIT, 90° WAFER WITH PEGS, SPECIAL
		李勤 2006.06.07	董正一 2006.06.07		
		GENERAL TOLERANCE			
		X.X±0.25	ANGLE±		
AO	NEW RELEASE	2006.06.07	X.XX±0.15		DRAW NO.:
REV.	DESCRIPTION	DATE	X.XXX±0.05		C4255WR-F-2X03PA
					REV. AO