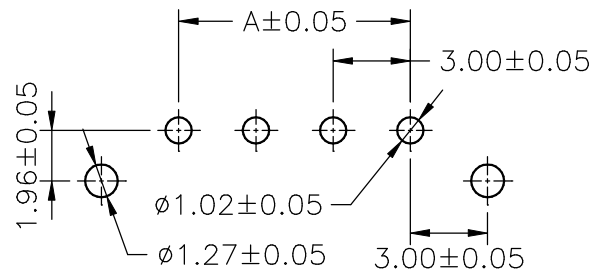
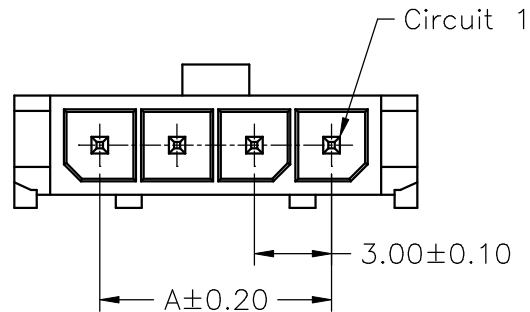
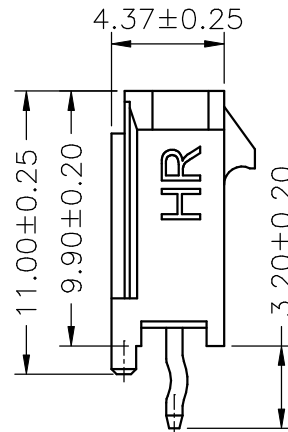
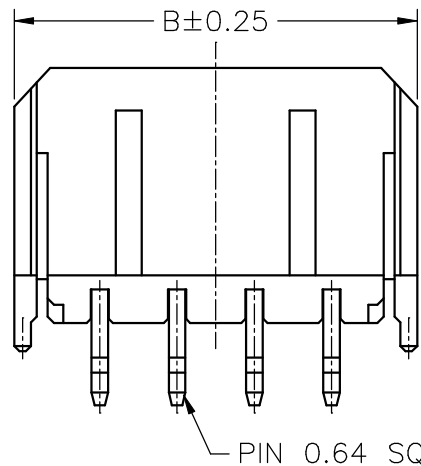


SPECIFICATIONS

Current Rating: 5A AC,DC
 Voltage Rating: 250V AC,DC
 Temperature Range: -25°C ~ +85°C
 Contact Resistance: 10mΩ Max
 Insulation Resistance: 1000MΩ Min
 Withstanding Voltage: 1500V AC/minute
 Pin Material: Brass/Tin-plated
 Material: PBT15%GF,UL94V-0
 Color: Natural(Black)



P.C.B LAYOUT



Ordering Information & Dimensions

PART NO.	Dimensions	
	A	B
C3030WV-F-2P	3.00	9.65
C3030WV-F-3P	6.00	12.65
C3030WV-F-4P	9.00	15.65
C3030WV-F-5P	12.00	18.65
C3030WV-F-6P	15.00	21.65
C3030WV-F-7P	18.00	24.65
C3030WV-F-8P	21.00	27.65
C3030WV-F-9P	24.00	30.65
C3030WV-F-10P	27.00	33.65
C3030WV-F-11P	30.00	36.65
C3030WV-F-12P	33.00	39.65



JOINT TECH ELECTRONIC IND. CO., LTD.
 JOY DAY INDUSTRIAL CO., LTD.

UNIT	SCALE	SHEET	TITLE:
mm		1 of 1	
DRAWN BY	APPROVED BY	3.00mm PITCH 180° WAFER, SINGLE ROW, MICRO-FIT	
董正一	董正一		
2003.03.27	2003.03.27	DRAW NO. : C3030WV-F-XP	
GENERAL TOLERANCE			REV. B0
X. X±0.25	ANGLE±		
X. XX±0.15			
X. XXX±0.05			
B0	NEW RELEASE	2005.12.14	
REV.	DESCRIPTION	DATE	