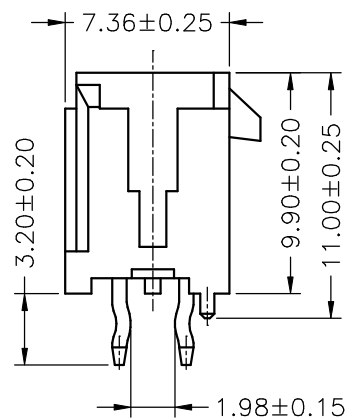
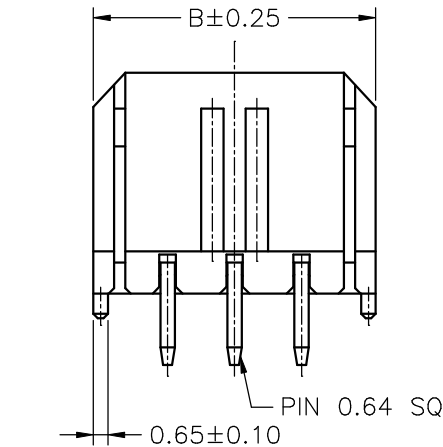
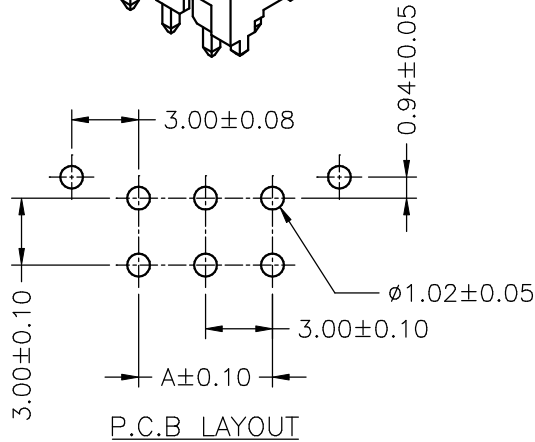
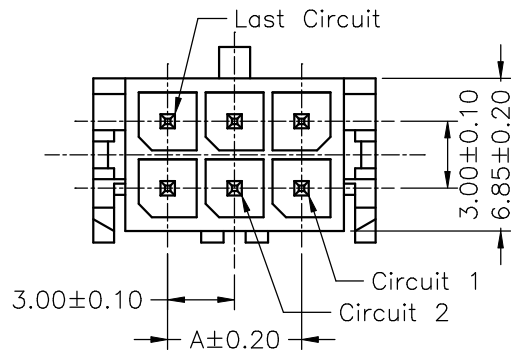


SPECIFICATIONS

Current Rating: 5A AC,DC
 Voltage Rating: 250V AC,DC
 Temperature Range: -25°C ~ +85°C
 Contact Resistance: 10mΩ Max
 Insulation Resistance: 1000MΩ Min
 Withstanding Voltage: 1500V AC/minute
 Pin Material: Brass/Tin-plated
 Material: PBT30%GF,UL94V-0
 Color: Natural(Black)



Ordering Information & Dimensions

PART NO.	Dimensions	
	A	B
C3030WV-F-2X1P	---	6.65
C3030WV-F-2X2P	3.00	9.65
C3030WV-F-2X3P	6.00	12.65
C3030WV-F-2X4P	9.00	15.65
C3030WV-F-2X5P	12.00	18.65
C3030WV-F-2X6P	15.00	21.65
C3030WV-F-2X7P	18.00	24.65
C3030WV-F-2X8P	21.00	27.65
C3030WV-F-2X9P	24.00	30.65
C3030WV-F-2X10P	27.00	33.65
C3030WV-F-2X11P	30.00	36.65
C3030WV-F-2X12P	33.00	39.65

				JOINT TECH ELECTRONIC IND. CO., LTD. JOY DAY INDUSTRIAL CO., LTD.		
UNIT	SCALE	SHEET	TITLE:			
mm		1 of 1	3.00mm PITCH 180° WAFER, MICRO-FIT			
DRAWN BY		APPROVED BY				
董正一		董正一				
2001.02.01		2001.02.01				
GENERAL TOLERANCE						
		X. X±0.25	ANGLE±			
		X. XX±0.15				
		X. XXX±0.05				
BO	NEW RELEASE	2005.12.14	DRAW NO. : C3030WV-F-2XNP			
REV.	DESCRIPTION	DATE	REV. B0			