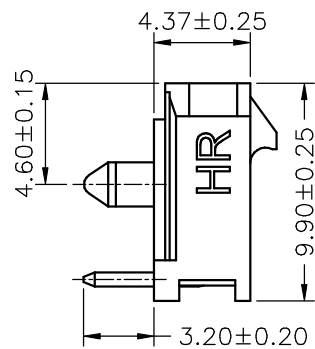
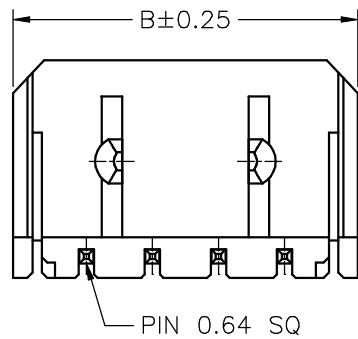


P.C.B. LAYOUT



**SPECIFICATIONS**

Current Rating: 5A AC,DC  
 Voltage Rating: 250V AC,DC  
 Temperature Range: -25°C ~ +85°C  
 Contact Resistance: 10mΩ Max  
 Insulation Resistance: 1000MΩ Min  
 Withstanding Voltage: 1500V AC/minute  
 Pin Material: Brass/Tin-plated  
 Material: PBT15%GF,UL94V-0  
 Color: Natural(Black)

**Ordering Information & Dimensions**

PART NO.	Dimensions	
	A	B
C3030WR-F-2P	3.00	9.65
C3030WR-F-3P	6.00	12.65
C3030WR-F-4P	9.00	15.65
C3030WR-F-5P	12.00	18.65
C3030WR-F-6P	15.00	21.65
C3030WR-F-7P	18.00	24.65
C3030WR-F-8P	21.00	27.65
C3030WR-F-9P	24.00	30.65
C3030WR-F-10P	27.00	33.65
C3030WR-F-11P	30.00	36.65
C3030WR-F-12P	33.00	39.65

		<b>JOINT TECH ELECTRONIC IND. CO., LTD.</b> <b>JOY DAY INDUSTRIAL CO., LTD.</b>	
UNIT	SCALE	SHEET	TITLE:
mm		1 of 1	<b>3.00mm PITCH</b> <b>90° WAFER, SINGLE ROW,</b> <b>MICRO-FIT</b>
DRAWN BY	APPROVED BY		
董正一	董正一		
2003.03.27	2003.03.27		
GENERAL TOLERANCE			
	X. X±0.25	ANGLE±	
B0	NEW RELEASE	2005.12.14	DRAW NO. : C3030WR-F-XP
REV.	DESCRIPTION	DATE	
		X. XX±0.15	REV. B0
		X. XXX±0.05	