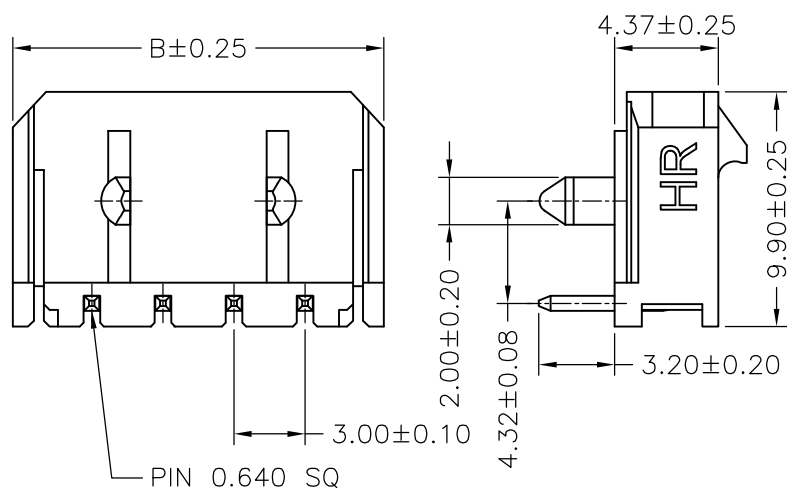
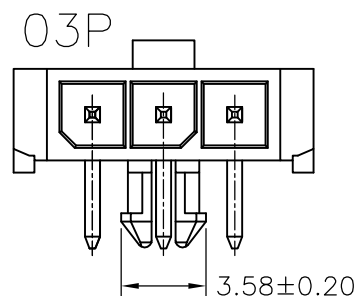
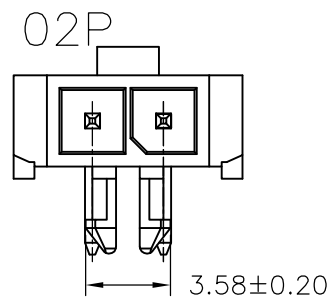
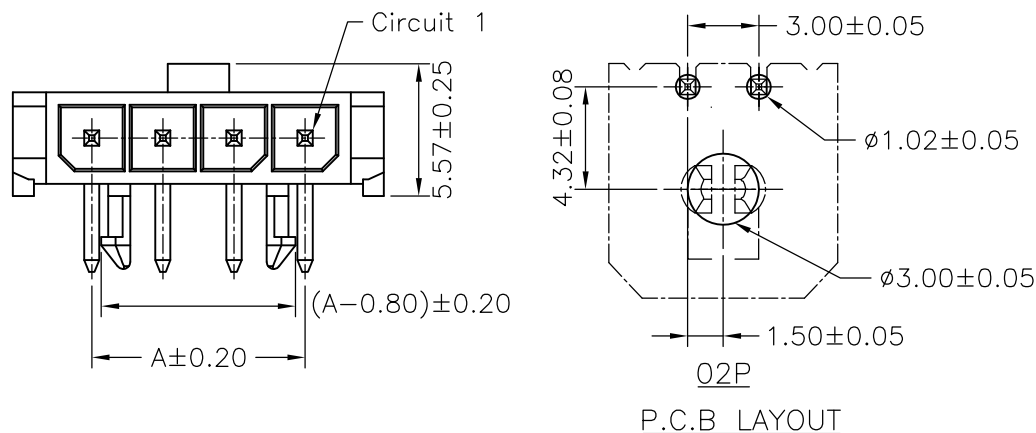


SPECIFICATIONS

Current Rating: 5A AC,DC
 Voltage Rating: 250V AC,DC
 Temperature Range: -25°C ~ +85°C
 Contact Resistance: 10mΩ Max
 Insulation Resistance: 1000MΩ Min
 Withstanding Voltage: 1500V AC/minute
 Pin Material: Brass/Tin-plated
 Material: PBT15%GF,UL94V-0
 Color: Natural(Black)



Ordering Information & Dimensions

PART NO.	Dimensions	
	A	B
C3030WR-F-02P	3.00	9.65
C3030WR-F-03P	6.00	12.65
C3030WR-F-04P	9.00	15.65
C3030WR-F-05P	12.00	18.65
C3030WR-F-06P	15.00	21.65
C3030WR-F-07P	18.00	24.65
C3030WR-F-08P	21.00	27.65
C3030WR-F-09P	24.00	30.65
C3030WR-F-10P	27.00	33.65
C3030WR-F-11P	30.00	36.65
C3030WR-F-12P	33.00	39.65

UNIT	SCALE	SHEET	TITLE:
mm		1 of 1	3.00mm PITCH 90° WAFER, SINGLE ROW, MICRO-FIT
DRAWN BY	APPROVED BY		
董正一	董正一		
2003.03.27	2003.03.27		
B2	EN0911190568	2009.11.19	GENERAL TOLERANCE
B1	REVISE	2008.12.30	X.X±0.25
B0	NEW RELEASE	2005.12.14	X.XX±0.15
REV.	DESCRIPTION	DATE	X.XXX±0.05
DRAW NO. : C3030WR-F-XP			REV. B2