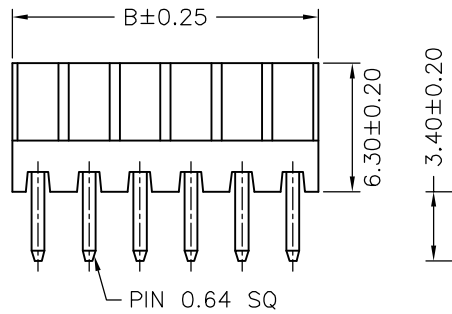
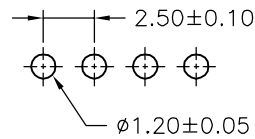


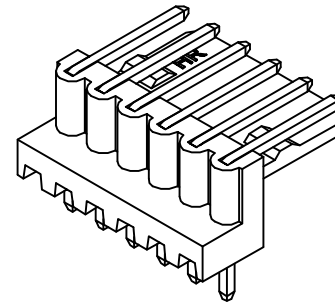
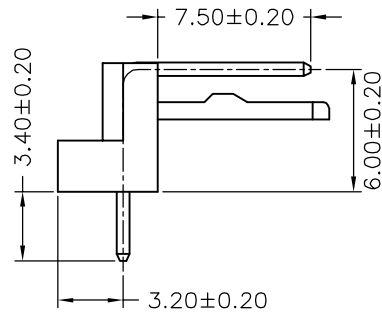
02P,03P



04P~20P



P.C.B LAYOUT



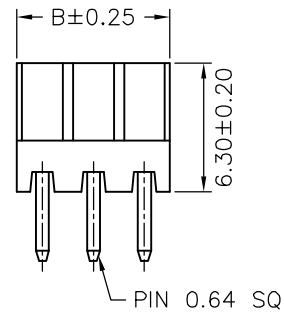
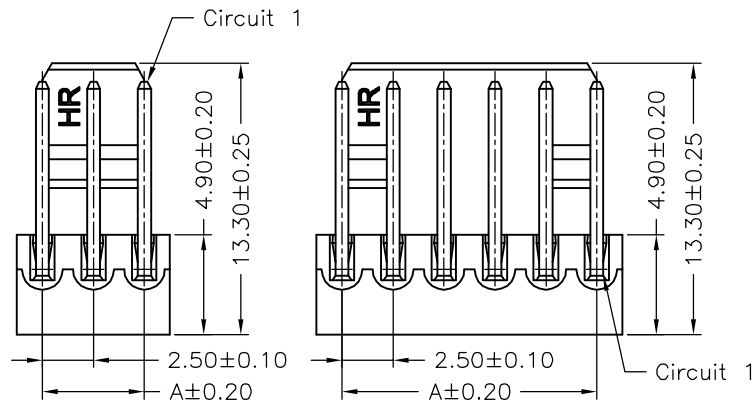
SPECIFICATIONS

Current Rating: 3A AC,DC
 Voltage Rating: 250V AC,DC
 Temperature Range: -25°C ~ +85°C
 Contact Resistance: 20mΩ Max
 Insulation Resistance: 1000MΩ Min
 Withstanding Voltage: 1000V AC/minute
 Pin Material: Brass/Tin-plated
 Material: Nylon 66,UL94V-0
 Pantone Color: 7506C

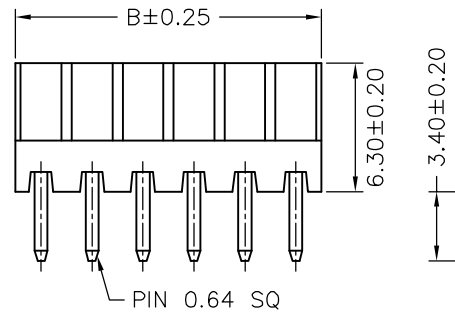
Ordering Information & Dimensions

PART NO.	Dimensions	
	A	B
C2504WR-02P	2.50	5.00
C2504WR-03P	5.00	7.50
C2504WR-04P	7.50	10.00
C2504WR-05P	10.00	12.50
C2504WR-06P	12.50	15.00
C2504WR-07P	15.00	17.50
C2504WR-08P	17.50	20.00
C2504WR-09P	20.00	22.50
C2504WR-10P	22.50	25.00
C2504WR-11P	25.00	27.50
C2504WR-12P	27.50	30.00
C2504WR-13P	30.00	32.50
C2504WR-14P	32.50	35.00
C2504WR-15P	35.00	37.50
C2504WR-16P	37.50	40.00
C2504WR-17P	40.00	42.50
C2504WR-18P	42.50	45.00
C2504WR-19P	45.00	47.50
C2504WR-20P	47.50	50.00

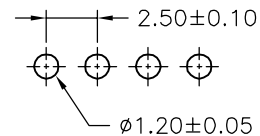
UNIT	SCALE	SHEET	TITLE:
mm		1 of 1	2.50mm PITCH 90° WAFER
DRAWN BY 董正一 2003.05.31		APPROVED BY 董正一 2003.05.31	
GENERAL TOLERANCE			
B1	REVISE	2006.11.10	X. X±0.25
B0	NEW RELEASE	2005.12.10	X. XX±0.15
REV.	DESCRIPTION	DATE	X. XXX±0.05
			ANGLE±
DRAW NO.:			REV. B1
			C2504WR-XP



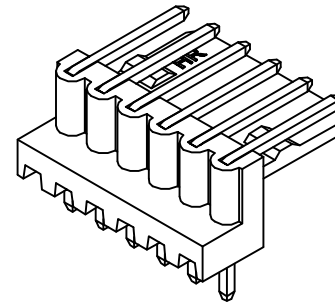
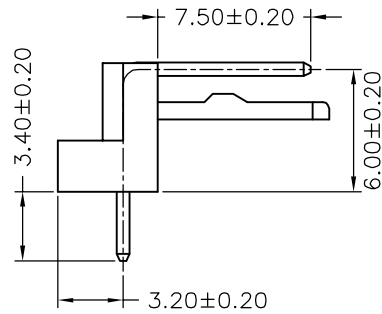
02P,03P



04P~20P



P.C.B LAYOUT



SPECIFICATIONS

Current Rating: 3A AC,DC
 Voltage Rating: 250V AC,DC
 Temperature Range: -25°C ~ +85°C
 Contact Resistance: 20mΩ Max
 Insulation Resistance: 1000MΩ Min
 Withstanding Voltage: 1000V AC/minute
 Pin Material: Brass/Tin-plated
 Material: Nylon 66,UL94V-0
 Pantone Color: 7506C

Ordering Information & Dimensions

PART NO.	Dimensions	
	A	B
C2504WR-02P	2.50	5.00
C2504WR-03P	5.00	7.50
C2504WR-04P	7.50	10.00
C2504WR-05P	10.00	12.50
C2504WR-06P	12.50	15.00
C2504WR-07P	15.00	17.50
C2504WR-08P	17.50	20.00
C2504WR-09P	20.00	22.50
C2504WR-10P	22.50	25.00
C2504WR-11P	25.00	27.50
C2504WR-12P	27.50	30.00
C2504WR-13P	30.00	32.50
C2504WR-14P	32.50	35.00
C2504WR-15P	35.00	37.50
C2504WR-16P	37.50	40.00
C2504WR-17P	40.00	42.50
C2504WR-18P	42.50	45.00
C2504WR-19P	45.00	47.50
C2504WR-20P	47.50	50.00

UNIT	SCALE	SHEET	TITLE:
mm		1 of 1	2.50mm PITCH 90° WAFER
DRAWN BY 董正一 2003.05.31		APPROVED BY 董正一 2003.05.31	
GENERAL TOLERANCE			
B1	REVISE	2006.11.10	X. X±0.25
B0	NEW RELEASE	2005.12.10	X. XX±0.15
REV.	DESCRIPTION	DATE	X. XXX±0.05
			ANGLE±
DRAW NO.:			REV. B1
			C2504WR-XP