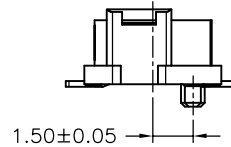
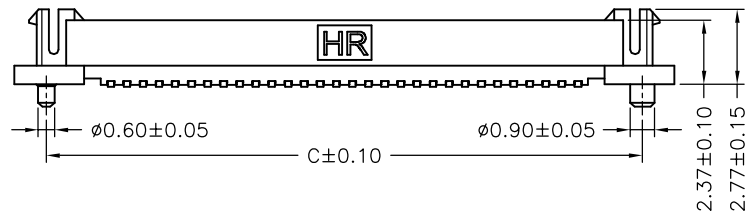
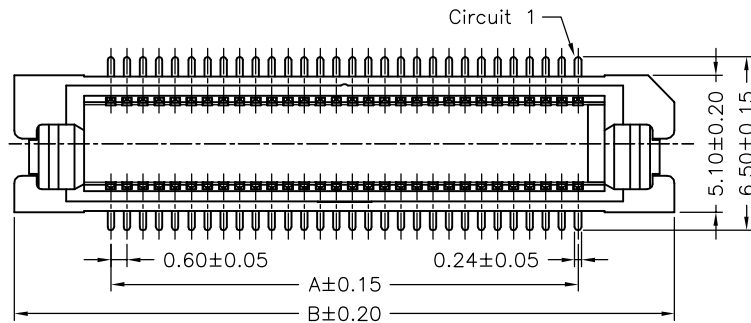
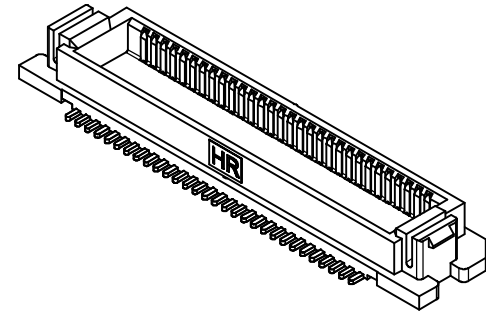


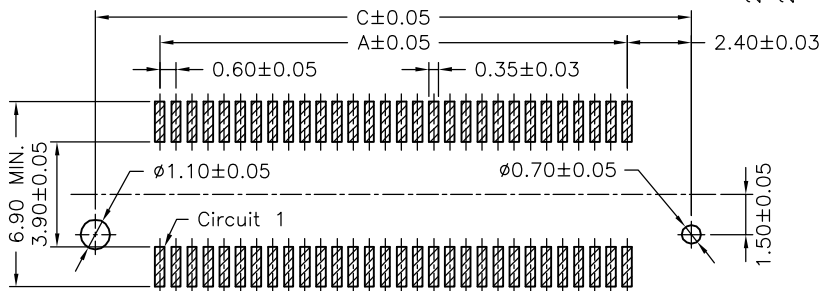
CAP  
(FOR PICK AND  
PLACE SYSTEMS)



**SPECIFICATIONS**  
 Current Rating: 0.4A AC,DC  
 Voltage Rating: 100V AC,DC  
 Temperature Range:  $-25^{\circ}\text{C} \sim +85^{\circ}\text{C}$   
 Contact Resistance: 45mΩ Max.  
 Insulation Resistance: 1000MΩ Min.  
 Withstanding Voltage: 300V AC/minute  
 Pin Material: Phosphor Bronze/Gold-plated 3u"  
 Housing: Nylon 6T,UL94V-0  
 Cap: Nylon 6T,UL94V-0,Natural(Beige)  
 Color: Natural(Beige)

Ordering Information & Dimensions

PART NO.	Dimensions		
	A	B	C
B0600HM-SF-2X30P	17.40	24.60	22.20
B0600HM-SF-2X40P	23.40	30.60	28.20
B0600HM-SF-2X50P	29.40	36.60	34.20



SUGGESTED PCB LAYOUT  
(COMPONENT SIDE)

				JOINT TECH ELECTRONIC IND. CO., LTD. JOY DAY INDUSTRIAL CO., LTD.	
		UNIT	SCALE	SHEET	TITLE:
		mm		1 of 2	0.60mm PITCH BOARD TO BOARD CONNECTOR, SMT TYPE, HEIGHT: 3.0mm
		DRAWN BY		APPROVED BY	
		李勤		董正一	
		2006.01.01		2006.01.01	
A2	REVISE	2007.10.06	GENERAL TOLERANCE		DRAW NO. : B0600HM-SF-2XNP
A1	REVISE	2006.05.23	X. X ± 0.25	ANGLE ±	
A0	NEW RELEASE	2006.01.01	X. XX ± 0.15		
REV.	DESCRIPTION	DATE	X. XXX ± 0.05		
					REV. A2

