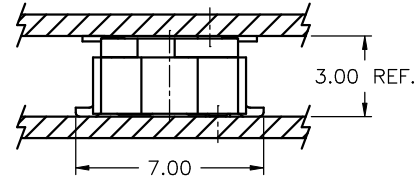
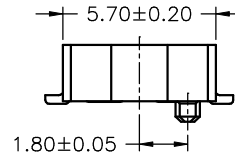
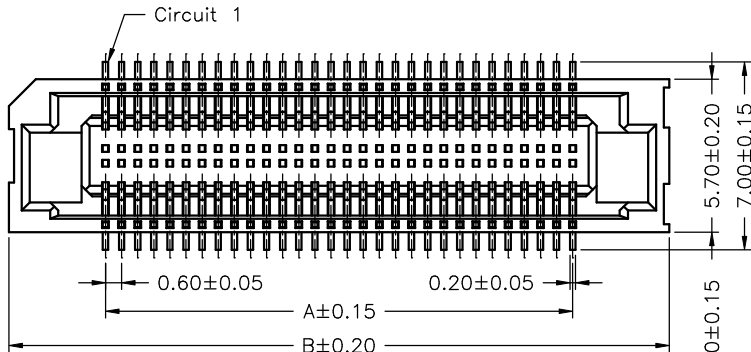
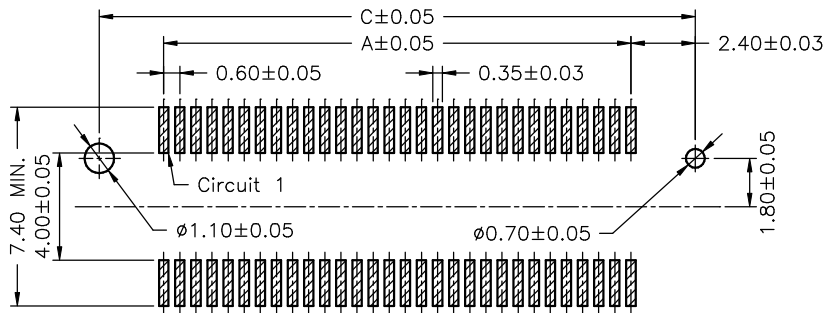
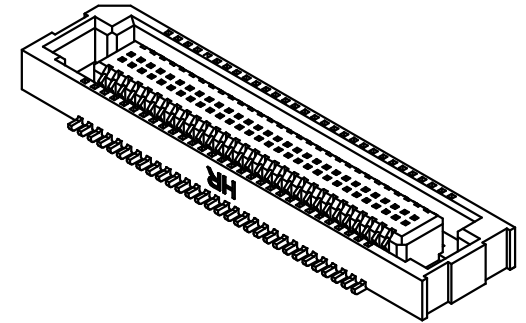


KAPTON TAPE
(FOR PICK AND
PLACE SYSTEMS)



MATED CONDITION



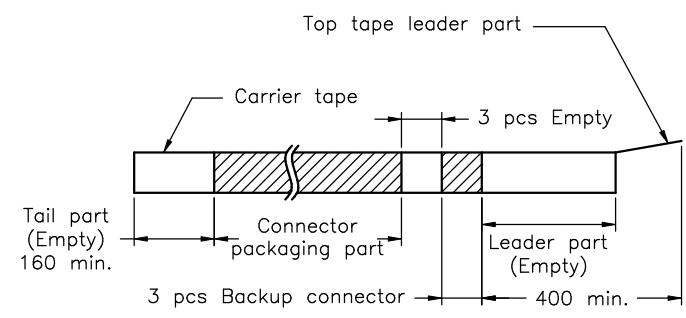
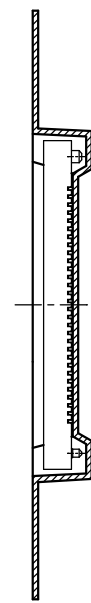
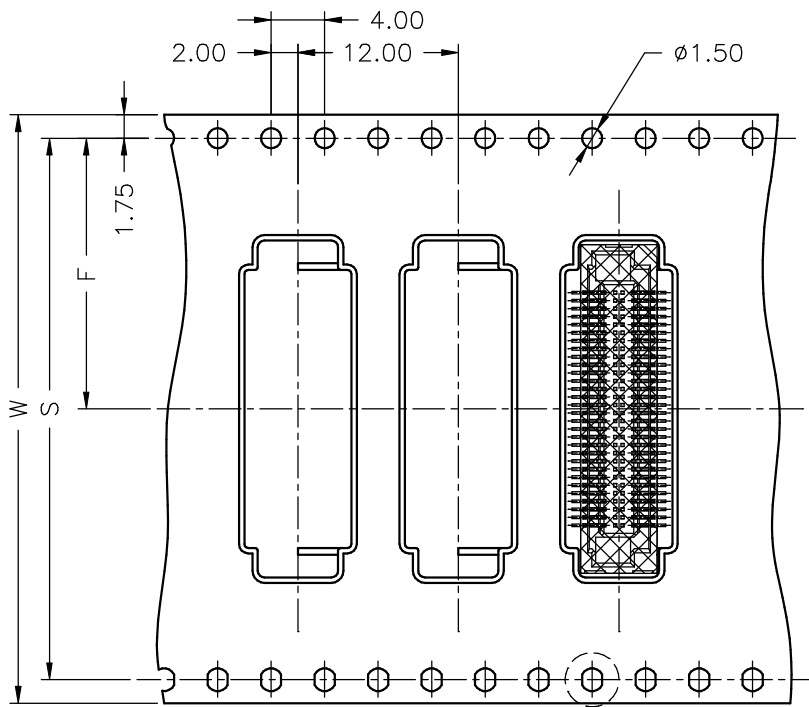
SUGGESTED PCB LAYOUT
(COMPONENT SIDE)

SPECIFICATIONS
Current Rating: 0.4A AC,DC
Voltage Rating: 100V AC,DC
Temperature Range: -25°C ~ +85°C
Contact Resistance: 45mΩ Max.
Insulation Resistance: 1000MΩ Min.
Withstanding Voltage: 300V AC/minute
Pin Material: Phosphor Bronze/Gold-plated 3u"
Housing: Nylon 6T,UL94V-0
Color: Natural(Beige)

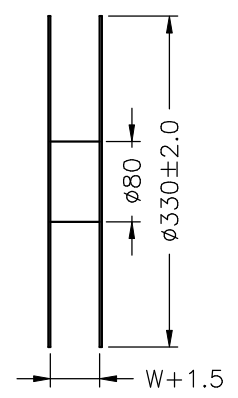
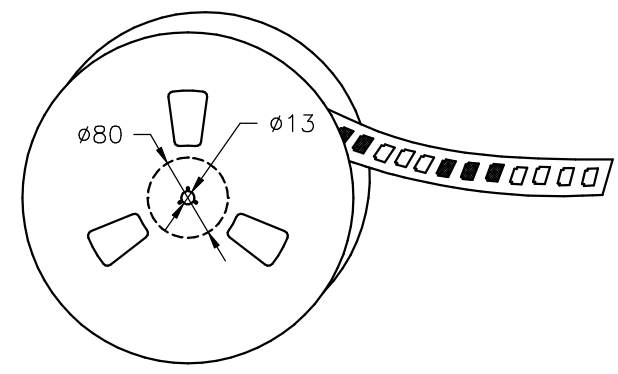
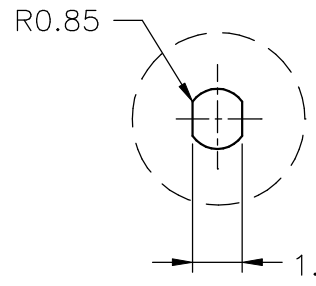
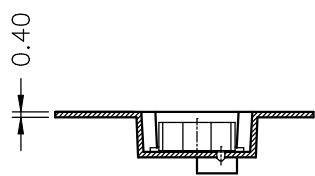
Ordering Information & Dimensions

PART NO.	Dimensions		
	A	B	C
B0600HF-SF-2X30P	17.40	24.60	22.20
B0600HF-SF-2X40P	23.40	30.60	28.20
B0600HF-SF-2X50P	29.40	36.60	34.20

					UNIT	SCALE	SHEET	TITLE:
					mm		1 of 2	
DRAWN BY		APPROVED BY		0.60mm PITCH BOARD TO BOARD CONNECTOR, SMT TYPE, HEIGHT: 3.0mm				
李勤		董正一						
2006.01.01		2006.01.01		DRAW NO. : B0600HF-SF-2XNP				
GENERAL TOLERANCE					REV. A1			
A1	REVISE	2006.05.23	X.X±0.25	ANGLE±				
A0	NEW RELEASE	2006.01.01	X.XX±0.15					
REV.	DESCRIPTION	DATE	X.XXX±0.05					



Unreeling direction →



Number of Contacts	W±0.3	F±0.1	S±0.1	Q'ty/Reel
2X30P	44	20.20	40.40	1,000
2X40P	44	20.20	40.40	1,000
2X50P	56	26.20	52.40	1,000

				UNIT	SCALE	SHEET	TITLE:
				mm		2 of 2	
DRAWN BY		APPROVED BY		GENERAL TOLERANCE		DRAW NO. :	REV.
李勤		董正一					
A1	REVISE	2006.05.23	X. X±0.25	ANGLE±		B0600HF-SF-2XNP	REV. A1
A0	NEW RELEASE	2006.01.01	X. XX±0.15	▽ ⊕			
REV.	DESCRIPTION	DATE	X. XXX±0.05				