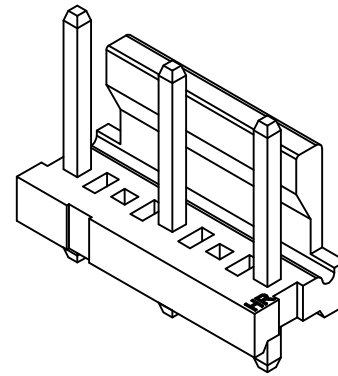
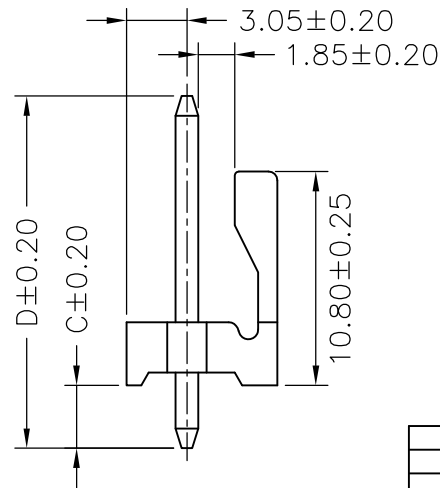
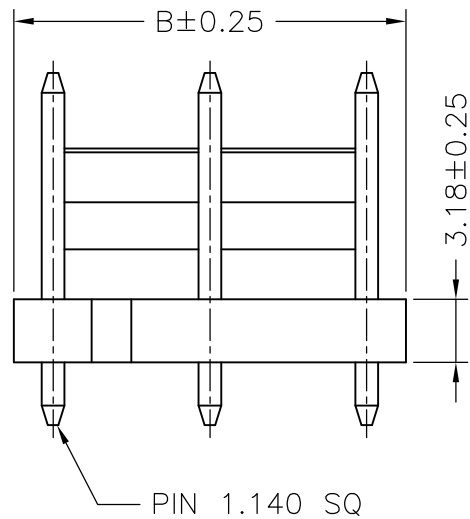


P.C.B LAYOUT





Ordering code

A7923 WV-XP XXX			
①	②	③	④
① Series No.	② Connector type: WV=Vertical		
③ No. of circuits			
④ Option code:			
Blank=Dim. C:3.18mm, D:17.80mm			
Y01 =Dim. C:4.45mm, D:19.05mm			

SPECIFICATIONS

Current Rating: 7A AC,DC
 Voltage Rating: 600V AC,DC
 Temperature Range: $-25^{\circ}\text{C} \sim +85^{\circ}\text{C}$
 Contact Resistance: $3\text{m}\Omega$ Max.
 Insulation Resistance: $5000\text{M}\Omega$ Min.
 Withstanding Voltage: 2200V AC/minute
 Pin Material: Brass/Tin-plated
 Material: Nylon 66,UL94V-0
 Color: Natural(White)

Circuit No.	Dimensions	
	A	B
02P	7.92	11.88
03P	15.84	19.80
04P	23.76	27.72
05P	31.68	35.64
06P	39.60	43.56
07P	47.52	51.48
08P	55.44	59.40
09P	63.36	67.32
10P	71.28	75.24

			
燦達電子工業股份有限公司 JOINT TECH ELECTRONIC IND. CO., LTD.			
UNIT	SCALE	SHEET	TITLE:
mm		1 of 1	
DRAWN BY	APPROVED BY	7.92mm PITCH 180° WAFER	
李勤 2005.12.05	董正一 2005.12.05		
A2	EN1001040006	2010.01.04	DRAW NO. : A7923WV-XP
A1	REVISE	2006.05.15	
A0	NEW RELEASE	2005.12.05	
REV.	DESCRIPTION	DATE	
GENERAL TOLERANCE			REV. A2
X.X±0.25	ANGLE±		
X.XX±0.15			
X.XXX±0.05			