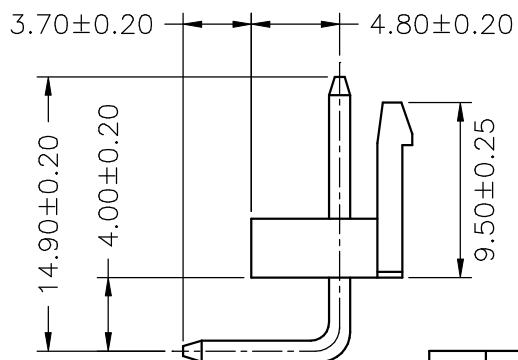
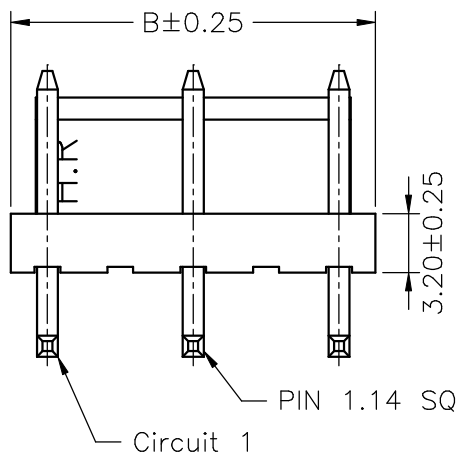


P.C.B LAYOUT



SPECIFICATIONS

Current Rating: 7A AC,DC
 Voltage Rating: 250V AC,DC
 Temperature Range: -25°C ~ +85°C
 Contact Resistance: 10mΩ Max
 Insulation Resistance: 1000MΩ Min
 Withstanding Voltage: 1500V AC/minute
 Pin Material: Brass/Tin-plated
 Material: Nylon 66,UL94V-0
 Color: Natural(White)

Ordering Information & Dimensions

PART NO.	Dimensions	
	A	B
A7921WR-02P	7.92	11.88
A7921WR-03P	15.84	19.80
A7921WR-04P	23.76	27.72
A7921WR-05P	31.68	35.64
A7921WR-06P	39.60	43.56
A7921WR-07P	47.52	51.48
A7921WR-08P	55.44	59.40

UNIT	SCALE	SHEET	TITLE:		
mm		1 of 1	7.92mm PITCH 90° WAFER		
DRAWN BY	APPROVED BY				
董正一	董正一				
2003.01.18	2003.01.18				
GENERAL TOLERANCE					
B1	REVISE	2006.04.17	X.X±0.25	ANGLE±	
B0	NEW RELEASE	2006.04.05	X.XX±0.15		
REV.	DESCRIPTION	DATE	X.XXX±0.05		
				DRAW NO. : A7921WR-XP	
				REV. B1	