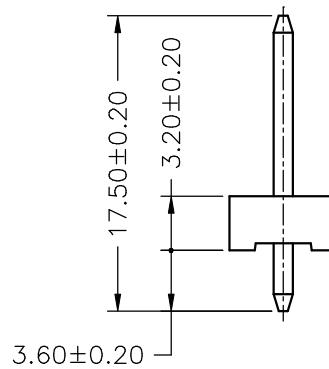
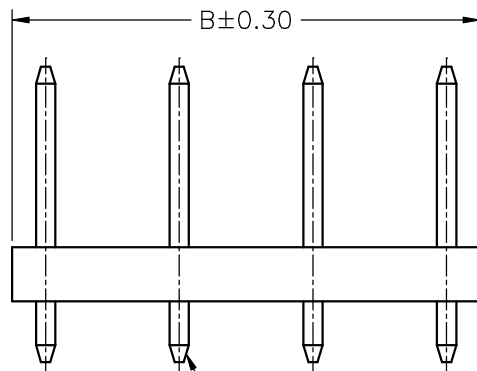


SPECIFICATIONS
 Current Rating: 7A AC,DC
 Voltage Rating: 250V AC,DC
 Temperature Range: -25°C ~ +85°C
 Contact Resistance: 10mΩ Max
 Insulation Resistance: 1000MΩ Min
 Withstanding Voltage: 1500V AC/minute
 Pin Material: Brass/Tin-plated
 Material: Nylon 66,UL94V-2
 Color: Natural(Translucent)



PIN 1.14 SQ

Ordering Information & Dimensions

PART NO.	Dimensions	
	A	B
A7920WVA-02P	7.92	11.88
A7920WVA-03P	15.84	19.80
A7920WVA-04P	23.76	27.72
A7920WVA-05P	31.68	35.64
A7920WVA-06P	39.60	43.56
A7920WVA-07P	47.52	51.48
A7920WVA-08P	55.44	59.40
A7920WVA-09P	63.36	67.32
A7920WVA-10P	71.28	75.24

				JOINT TECH ELECTRONIC IND. CO., LTD. JOY DAY INDUSTRIAL CO., LTD.	
UNIT	SCALE	SHEET	TITLE:		
mm		1 of 1	7.92mm PITCH 180° WAFER		
DRAWN BY 董正一 2004.11.05		APPROVED BY 董正一 2004.11.05			
GENERAL TOLERANCE					
B1	REVISE	2006.06.02	X. X±0.25	ANGLE±	DRAW NO. : A7920WVA-XP
B0	NEW RELEASE	2005.12.07	X. XX±0.15		
REV.	DESCRIPTION	DATE	X. XXX±0.05		
					REV. B1