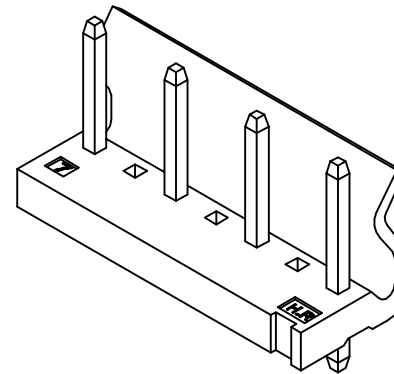
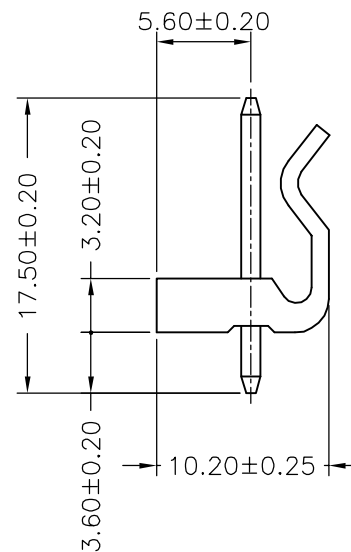
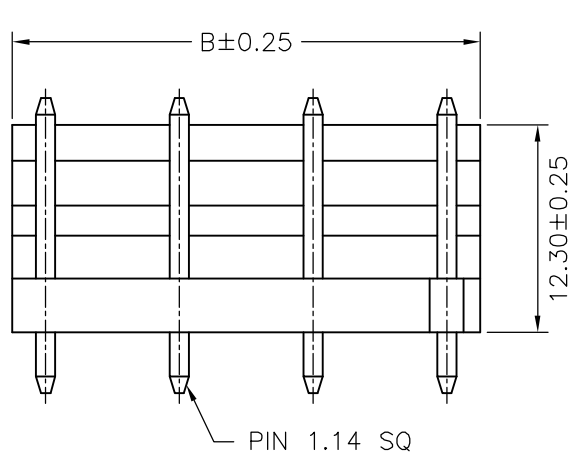


P.C.B LAYOUT



SPECIFICATIONS
 Current Rating: 7A AC,DC
 Voltage Rating: 250V AC,DC
 Temperature Range: -25°C ~ +85°C
 Contact Resistance: 10mΩ Max
 Insulation Resistance: 1000MΩ Min
 Withstanding Voltage: 1500V AC/minute
 Pin Material: Brass/Tin-plated
 Material: Nylon 66,UL94V-2
 Color: Natural(Translucent)



Ordering Information & Dimensions

PART NO.	Dimensions	
	A	B
A7920WV-02P	7.92	11.88
A7920WV-03P	15.84	19.80
A7920WV-04P	23.76	27.72
A7920WV-05P	31.68	35.64
A7920WV-06P	39.60	43.56
A7920WV-07P	47.52	51.48
A7920WV-08P	55.44	59.40
A7920WV-09P	63.36	67.32
A7920WV-10P	71.28	75.24

				JOINT TECH ELECTRONIC IND. CO., LTD. JOY DAY INDUSTRIAL CO., LTD.	
		UNIT	SCALE	SHEET	TITLE:
		mm		1 of 1	
		DRAWN BY 董正一 2003.01.18		APPROVED BY 董正一 2003.01.18	
		GENERAL TOLERANCE			
B2	REVISE	2006.10.31			
B1	REVISE	2006.06.02	X. X ± 0.25	ANGLE ±	
B0	NEW RELEASE	2005.12.07	X. XX ± 0.15		
REV.	DESCRIPTION	DATE	X. XXX ± 0.05		
					7.92mm PITCH 180° WAFER
DRAW NO. : A7920WV-XP					REV. B2