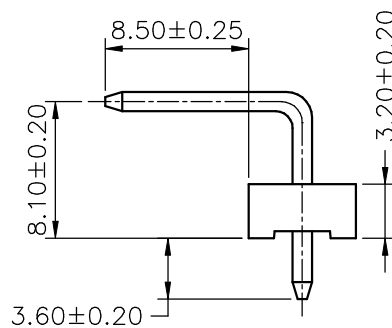
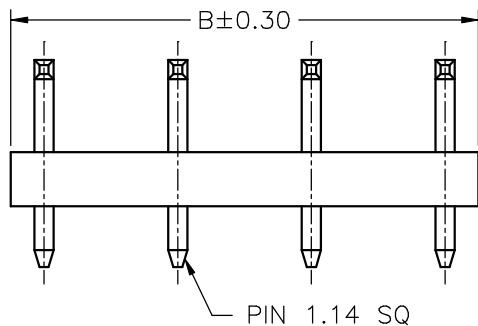


**SPECIFICATIONS**  
 Current Rating: 7A AC,DC  
 Voltage Rating: 250V AC,DC  
 Temperature Range: -25°C ~ +85°C  
 Contact Resistance: 10mΩ Max  
 Insulation Resistance: 1000MΩ Min  
 Withstanding Voltage: 1500V AC/minute  
 Pin Material: Brass/Tin-plated  
 Material: Nylon 66,UL94V-2  
 Color: Natural(Translucent)



**Ordering Information & Dimensions**

PART NO.	Dimensions	
	A	B
A7920WRA-02P	7.92	11.88
A7920WRA-03P	15.84	19.80
A7920WRA-04P	23.76	27.72
A7920WRA-05P	31.68	35.64
A7920WRA-06P	39.60	43.56
A7920WRA-07P	47.52	51.48
A7920WRA-08P	55.44	59.40
A7920WRA-09P	63.36	67.32
A7920WRA-10P	71.28	75.24

		<b>JOINT TECH ELECTRONIC IND. CO., LTD.</b> <b>JOY DAY INDUSTRIAL CO., LTD.</b>	
UNIT	SCALE	SHEET	TITLE:
mm		1 of 1	<b>7.92mm PITCH 90° WAFER</b>
DRAWN BY	APPROVED BY		
董正一	董正一		
2004.11.05	2004.11.05		
GENERAL TOLERANCE			
B1	REVISE	2006.06.02	X. X±0.25
B0	NEW RELEASE	2005.12.07	X. XX±0.15
REV.	DESCRIPTION	DATE	X. XXX±0.05
DRAW NO. :			REV. B1
			A7920WRA-XP