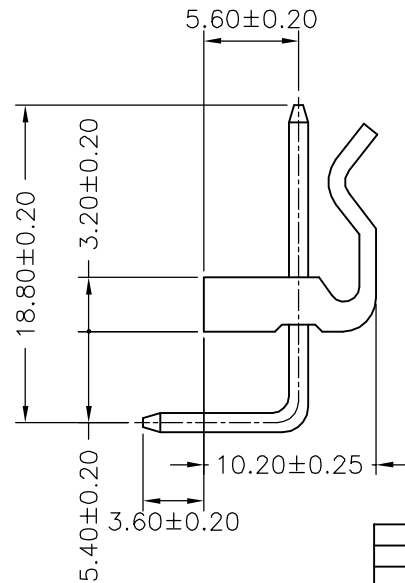
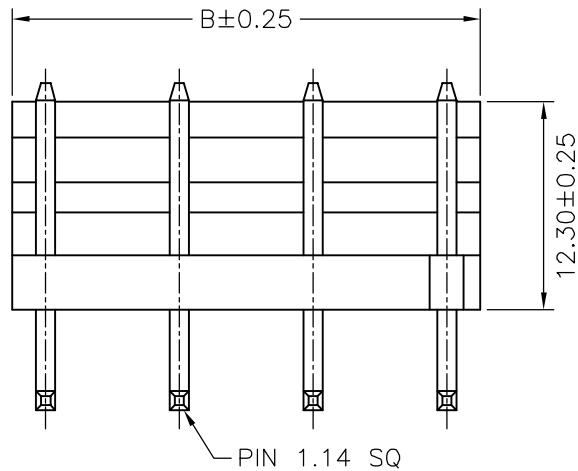


SPECIFICATIONS
 Current Rating: 7A AC,DC
 Voltage Rating: 250V AC,DC
 Temperature Range: -25°C ~ +85°C
 Contact Resistance: 10mΩ Max
 Insulation Resistance: 1000MΩ Min
 Withstanding Voltage: 1500V AC/minute
 Pin Material: Brass/Tin-plated
 Material: Nylon 66,UL94V-2
 Color: Natural(Translucent)



Ordering Information & Dimensions

PART NO.	Dimensions	
	A	B
A7920WR-02P	7.92	11.88
A7920WR-03P	15.84	19.80
A7920WR-04P	23.76	27.72
A7920WR-05P	31.68	35.64
A7920WR-06P	39.60	43.56
A7920WR-07P	47.52	51.48
A7920WR-08P	55.44	59.40
A7920WR-09P	63.36	67.32
A7920WR-10P	71.28	75.24

			JOINT TECH ELECTRONIC IND. CO., LTD. JOY DAY INDUSTRIAL CO., LTD.	
			UNIT: mm	SCALE: 1 of 1
			DRAWN BY: 董正一	APPROVED BY: 董正一
			2003.01.18	2003.01.18
			GENERAL TOLERANCE	
B2	REVISE	2006.10.31		
B1	REVISE	2006.06.02	X. X±0.25	ANGLE±
B0	NEW RELEASE	2005.12.07	X. XX±0.15	
REV.	DESCRIPTION	DATE	X. XXX±0.05	
			TITLE: 7.92mm PITCH 90° WAFER	
			DRAW NO.: A7920WR-XP	
			REV. B2	