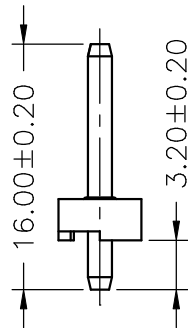
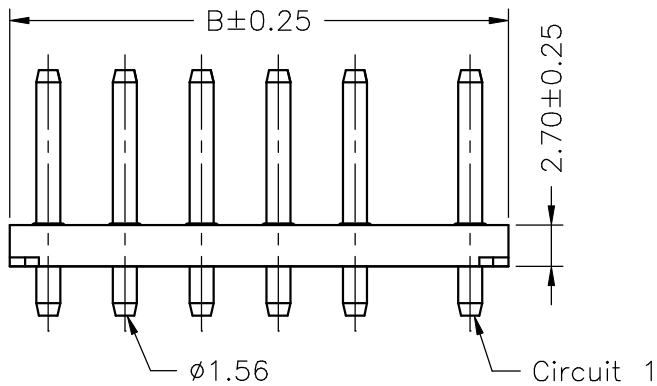
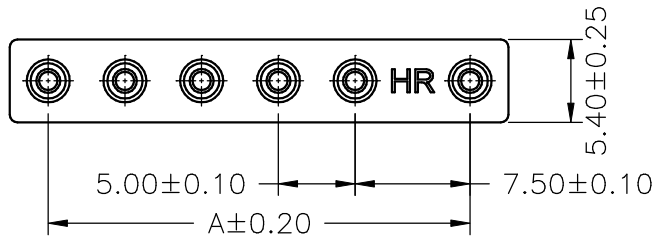


P.C.B LAYOUT



SPECIFICATIONS

Current Rating: 7A AC,DC
 Voltage Rating: 250V AC,DC
 Temperature Range: -25°C ~ +85°C
 Contact Resistance: 10mΩ Max
 Insulation Resistance: 1000MΩ Min
 Withstanding Voltage: 1500V AC/minute
 Pin Material: Brass/Tin-plated
 Material: Nylon 66,UL94V-0
 Color: Natural(White)

Ordering Information & Dimensions

PART NO.	Dimensions	
	A	B
A7500WV-01P	---	5.00
A7500WV-02P	7.50	12.50
A7500WV-03P	12.50	17.50
A7500WV-04P	17.50	22.50
A7500WV-05P	22.50	27.50
A7500WV-06P	27.50	32.50

UNIT	SCALE	SHEET	TITLE:
mm		1 of 1	7.50-5.00mm PITCH 180° WAFER
DRAWN BY	APPROVED BY		
董正一	董正一		
2001.02.01	2001.02.01		
GENERAL TOLERANCE			
B1	REVISE	2006.06.09	X. X±0.25
B0	NEW RELEASE	2005.12.07	X. XX±0.15
REV.	DESCRIPTION	DATE	X. XXX±0.05
			ANGLE±
			▷ ⊕
DRAW NO. :			REV. B1
A7500WV-XP			