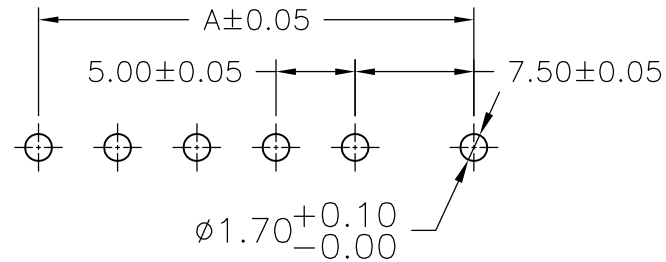
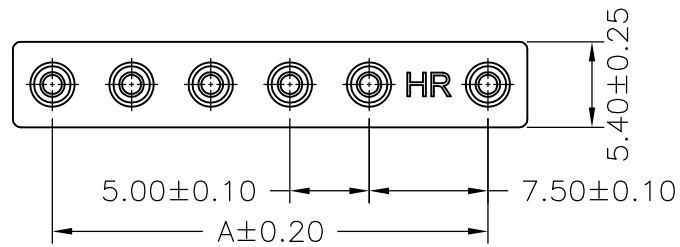


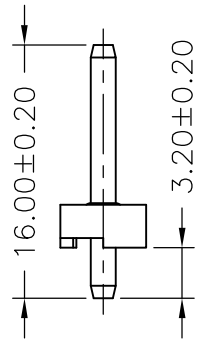
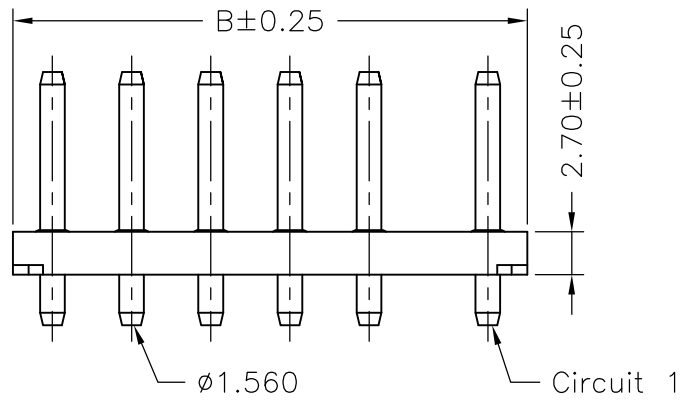
Ordering code

	A7500	WV	XP	XXX
	①	②	③	④
①	Series No.			
②	Connector type: WV=Vertical			
③	No. of circuits			
④	Option code:			
	Blank=Color: White			
	BK=Color: Black			



P.C.B LAYOUT

**SPECIFICATIONS**  
 Current Rating: 7A AC,DC  
 Voltage Rating: 250V AC,DC  
 Temperature Range: -25°C ~ +85°C  
 Contact Resistance: 10mΩ Max.  
 Insulation Resistance: 1000MΩ Min.  
 Withstanding Voltage: 1500V AC/minute  
 Pin Material: Brass/Tin-plated  
 Material: Nylon 66,UL94V-0  
 Color: White or Black



Circuit No.	Dimensions	
	A	B
01P	---	5.00
02P	7.50	12.50
03P	12.50	17.50
04P	17.50	22.50
05P	22.50	27.50
06P	27.50	32.50



燦達電子工業股份有限公司  
 JOINT TECH ELECTRONIC IND. CO., LTD.

UNIT	SCALE	SHEET	TITLE:
mm		1 of 1	
DRAWN BY	APPROVED BY		7.50-5.00mm PITCH 180° WAFER
董正一	董正一		
2001.02.01	2001.02.01		
B2	EN1001040004	2010.01.04	GENERAL TOLERANCE
B1	REVISE	2006.06.09	X.X±0.25
B0	NEW RELEASE	2005.12.07	X.XX±0.15
REV.	DESCRIPTION	DATE	X.XXX±0.05

DRAW NO.: A7500WV-XP REV. B2