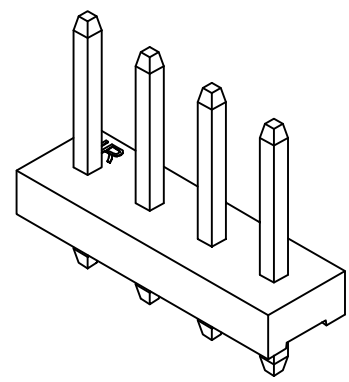
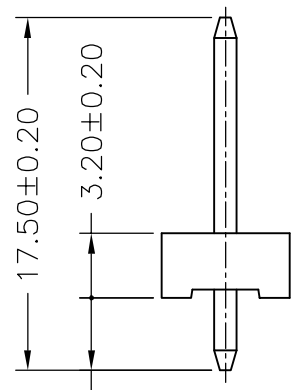
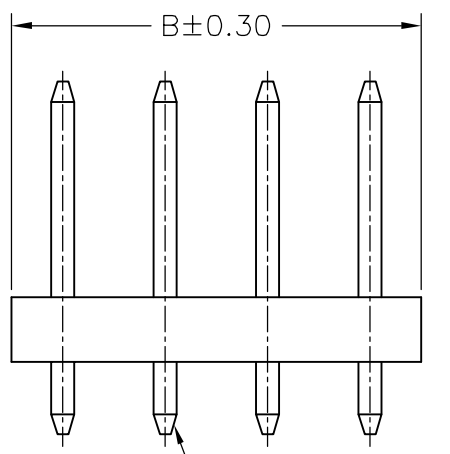


P.C.B LAYOUT



SPECIFICATIONS
 Current Rating: 7A AC,DC
 Voltage Rating: 250V AC,DC
 Temperature Range: -25°C ~ +85°C
 Contact Resistance: 10mΩ Max
 Insulation Resistance: 1000MΩ Min
 Withstanding Voltage: 1500V AC/minute
 Pin Material: Brass/Tin-plated
 Material: Nylon 66,UL94V-2
 Color: Natural(Translucent)



Ordering Information & Dimensions

PART NO.	Dimensions	
	A	B
A5081WVA-02P	5.08	10.16
A5081WVA-03P	10.16	15.24
A5081WVA-04P	15.24	20.32
A5081WVA-05P	20.32	25.40
A5081WVA-06P	25.40	30.48
A5081WVA-07P	30.48	35.56
A5081WVA-08P	35.56	40.64
A5081WVA-09P	40.64	45.72

PIN 1.14 SQ 3.60±0.20

				UNIT SCALE SHEET mm 1 of 1		TITLE: 5.08mm PITCH 180° WAFER	
				DRAWN BY 伍建永 2005.04.23		APPROVED BY 謝瑞清 2005.04.23	
		GENERAL TOLERANCE B1 REVISE 2007.11.13 X.X±0.25 ANGLE± B0 NEW RELEASE 2006.01.08 X.XX±0.15				REV. B1	
REV.	DESCRIPTION	DATE	X.XXX±0.05				